

MOS INTEGRATED CIRCUIT

μ PD30200, 30210

VR4300™, VR4305™, VR4310™

64-BIT MICROPROCESSOR

The μ PD30200-100, 30200-133 (VR4300), 30200-80 (VR4305), and 30210 (VR4310) are high-performance, 64-bit RISC (Reduced Instruction Set Computer) type VR Series™ microprocessors employing the RISC architecture developed by MIPS™ Technologies Inc.

The VR4300, VR4305, and VR4310 are intended for the high-performance embedded device field and have 32-bit system interface buses.

Detailed function descriptions are provided in the following user's manual. Be sure to read this manual before designing.

- VR4300, VR4305, VR4310 User's Manual (U10504E)

FEATURES

- Employs 64-bit RISC MIPS architecture
- High-speed operation processing
 - 5-stage pipeline processing
 - High-speed execution of integer and floating-point operations
 - 48 SPECint92, 36 SPECfp92, 106 MIPS, at 80 MHz operation (μ PD30200-80)
 - 60 SPECint92, 45 SPECfp92, 131 MIPS, at 100 MHz operation (μ PD30200-100)
 - ★ 80 SPECint92, 60 SPECfp92, 177 MIPS at 133 MHz operation (μ PD30200-133, μ PD30210-133)
 - 100 SPECint92, 75 SPECfp92, 221 MIPS at 167 MHz operation (μ PD30210-167)
- Instruction set compatible with VR4000™ Series (conforms to MIPS-I/II/III)
- On-chip cache memory (Instruction: 16 Kbytes, Data: 8 Kbytes)
- 32-bit address/data multiplexed bus facilitating system design
- Low power consumption
 - μ PD30200-80: 1.5 W (TYP.) (at 80 MHz operation)
 - μ PD30200-100, 30200-133: 1.8 W (TYP.) (at 100 MHz operation), 2.4 W (TYP.) (at 133 MHz operation)
 - μ PD30210-xxx: 1.9 W (TYP.) (at 133 MHz operation), 2.4 W (TYP.) (at 167 MHz operation)
- Supply voltage: 3.3 \pm 0.3 V (μ PD30200-80, 30200-100), 3.0 to 3.5 V (μ PD30200-133, 30210-xxx)

Unless otherwise specified, the VR4300 (μ PD30200) is treated as the representative model throughout this document.

The information in this document is subject to change without notice. Before using this document, please confirm that this is the latest version.
Not all devices/types available in every country. Please check with local NEC representative for availability and additional information.

APPLICATIONS

- Embedded controllers
- Page printer controllers
- Amusement game machines, etc.

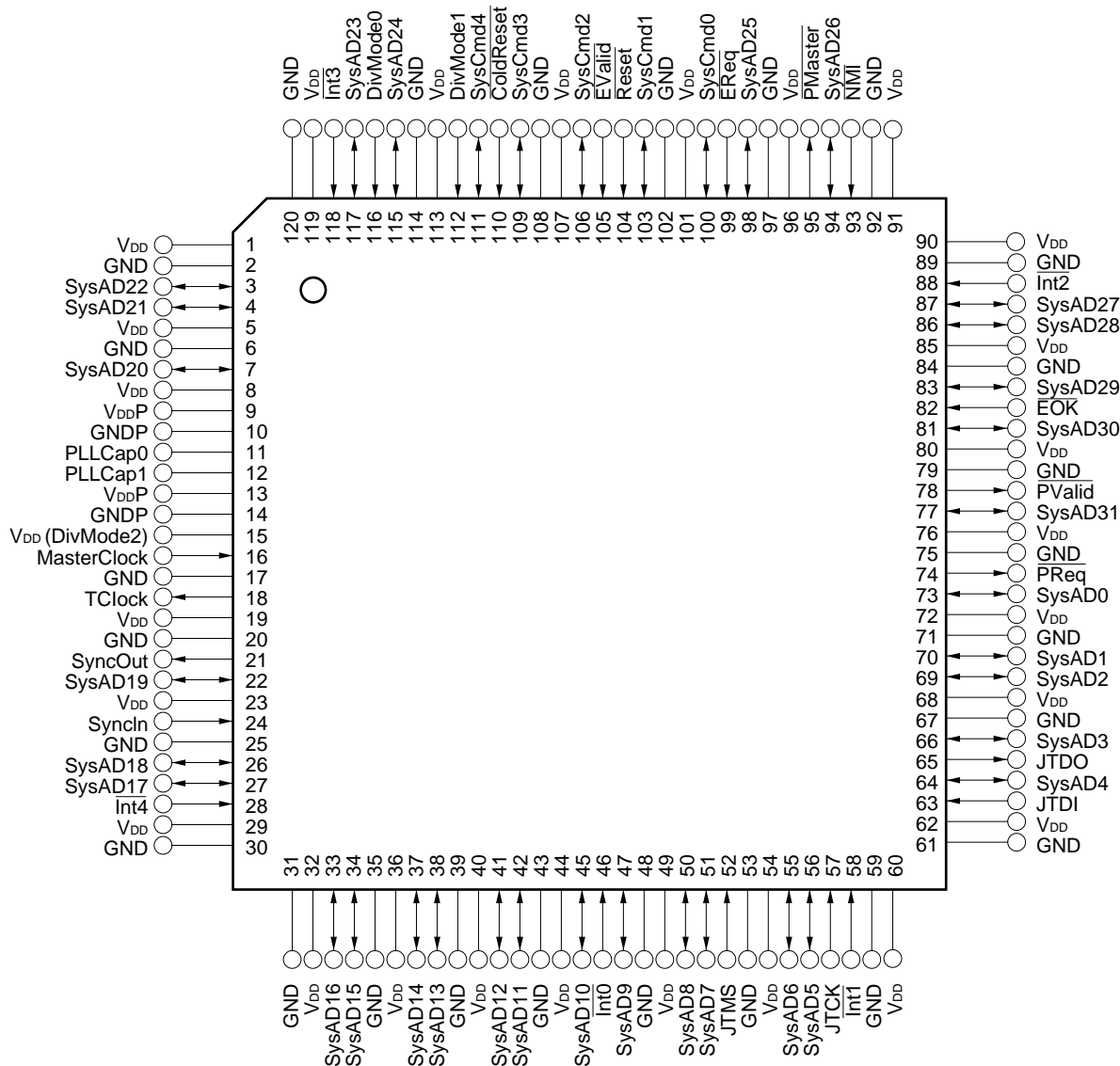
ORDERING INFORMATION

Part Number	Package	Maximum Internal Operating Frequency (MHz)
μ PD30200GD-80-LBB	120-pin plastic QFP (28 × 28 mm)	80
μ PD30200GD-100-MBB	120-pin plastic QFP (28 × 28 mm)	100
μ PD30200GD-133-MBB	120-pin plastic QFP (28 × 28 mm)	133
μ PD30210GD-133-MBB	120-pin plastic QFP (28 × 28 mm)	133
μ PD30210GD-167-MBB	120-pin plastic QFP (28 × 28 mm)	167

PIN CONFIGURATION (Top View)

- 120-pin plastic QFP (28 × 28 mm)

μPD30200GD-80-LBB
 μPD30200GD-100-MBB
 μPD30200GD-133-MBB
 μPD30210GD-133-MBB
 μPD30210GD-167-MBB



Remark (): Pin name in the μPD30210-xxx

PIN NAMES

$\overline{\text{ColdReset}}$:	Cold Reset
DivMode (1:0) ^{Note} :	Divide Mode
$\overline{\text{EOK}}$:	External OK
$\overline{\text{EReq}}$:	External Request
$\overline{\text{EValid}}$:	External Valid
$\overline{\text{Int}}(4:0)$:	Interrupt Request
JTCK:	JTAG Clock Input
JTDI:	JTAG Data In
JTDO:	JTAG Data Out
JTMS:	JTAG Command Signal
MasterClock:	Master Clock
$\overline{\text{NMI}}$:	Non-maskable Interrupt Request
PLLCap (1:0):	Phase Locked Loop Capacitance
$\overline{\text{PMaster}}$:	Processor Master
$\overline{\text{PReq}}$:	Processor Request
$\overline{\text{PValid}}$:	Processor Valid
Reset:	Reset
SyncIn:	Synchronization Clock Input
SyncOut:	Synchronization Clock Output
SysAD(31:0):	System Address/Data Bus
SysCmd (4:0):	System Command/Data ID Bus
TClock:	Transmit Clock
V _{DD} :	Power Supply
GND:	Ground
V _{DDP} :	V _{DD} for PLL
GNDP:	GND for PLL

Note In the μ PD30200-xxx. DivMode (2:0) in the μ PD30210-xxx.

INTERNAL BLOCK DIAGRAM

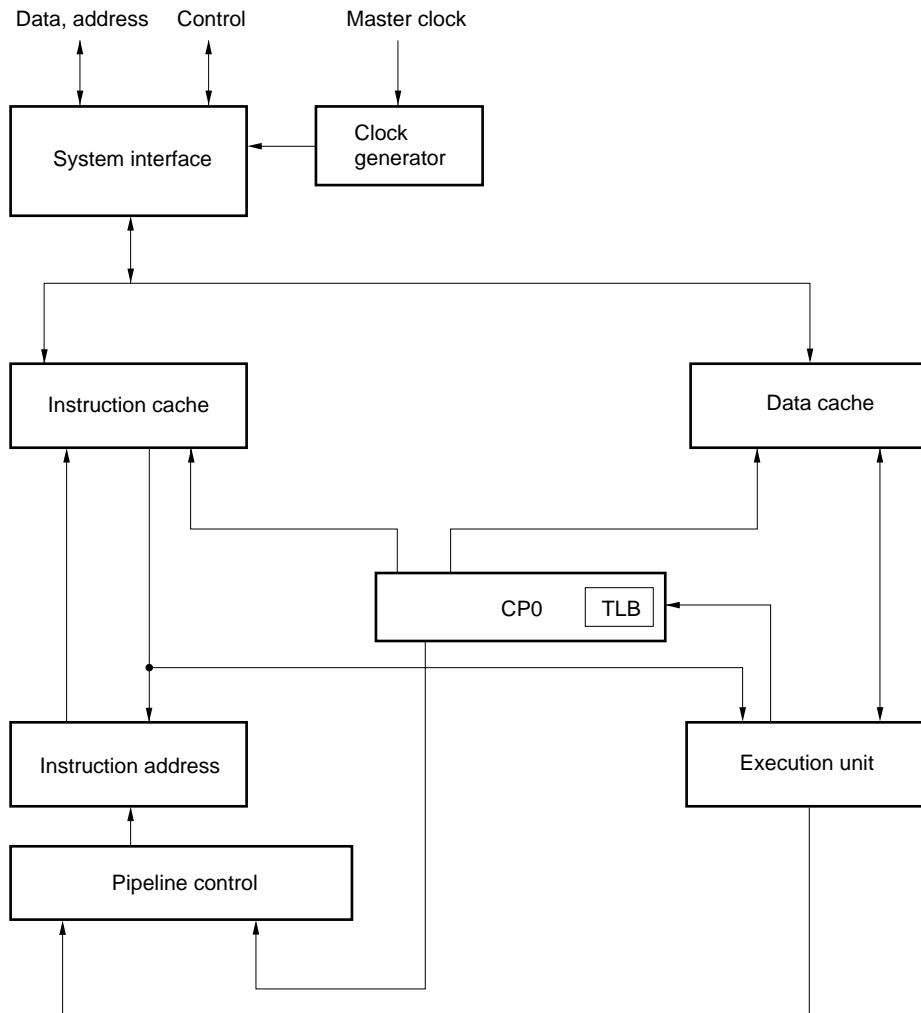


TABLE OF CONTENTS

1. PIN FUNCTIONS	7
2. ELECTRICAL SPECIFICATIONS	9
3. PACKAGE DRAWING	19
4. RECOMMENDED SOLDERING CONDITIONS	20
APPENDIX DIFFERENCES BETWEEN THE V_R4300, V_R4305, V_R4310 AND V_R4100™	21

1. PIN FUNCTIONS

Pin Name	I/O	Function
SysAD (31:0)	I/O	System address/data bus. 32-bit bus for communication between processor and external agent.
SysCmd (4:0)	I/O	System command/data ID bus. 5-bit bus for communication of commands and data identifiers between processor and external agent.
$\overline{\text{EValid}}$	Input	External valid. Signal indicating that external agent has transmitted valid address or data onto SysAD bus and valid command or data identifier onto SysCmd bus.
$\overline{\text{PValid}}$	Output	Processor valid. Signal indicating that processor has transmitted valid address or data onto SysAD bus and valid command or data identifier onto SysCmd bus.
$\overline{\text{EReq}}$	Input	External request. Signal used by external agent to request use of system interface.
$\overline{\text{PReq}}$	Output	Processor request. Signal used by processor to request use of system interface. If the processor detects a protocol error, this signal oscillates with the same frequency as SClock (internal), and the system interface hangs up.
$\overline{\text{PMaster}}$	Output	Processor master. Signal indicating processor controls system interface.
$\overline{\text{EOK}}$	Input	External OK. Signal indicating that external agent can accept processor request.
Int (4:0)	Input	Interrupt. General-purpose processor interrupt requests, the input status of which can be confirmed by bits 14 through 10 of cause register.
$\overline{\text{NMI}}$	Input	Non-maskable interrupt. Interrupt request that cannot be masked.
$\overline{\text{ColdReset}}$	Input	Cold reset. Signal that initializes internal status of processor. It can be made active/inactive without synchronizing with the MasterClock.
$\overline{\text{Reset}}$	Input	Reset. Signal that generates reset exception without initializing internal status of processor.
MasterClock	Input	Master clock. Clock input signal to processor.
TClock	Output	Transmit-receive signal clock This is the basic clock for the system interface and is synchronized with the MasterClock.
SyncOut	Output	Synchronization clock output. Output of synchronization clock.
SyncIn	Input	Synchronization clock input. Input of synchronization clock.
JTDI	Input	JTAG data input. Input of JTAG serial data.

Pin Name	I/O	Function																																																																																																																																					
JTDO	Output	JTAG data output. Output of JTAG serial data.																																																																																																																																					
JTMS	Input	JTAG command. Indicates that input serial data is command data.																																																																																																																																					
JTCK	Input	JTAG clock input. Input of JTAG serial clock. If the JTAG interface is not used, set it to low level.																																																																																																																																					
DivMode	Input	<p>Mode setting. Sets frequency ratio of MasterClock, TClock, and PClock.</p> <ul style="list-style-type: none"> DivMode (1:0) (V_R4300) <table border="1"> <thead> <tr> <th>Example</th> <th>DivMode (1:0)</th> <th>MasterClock</th> <th>PClock</th> <th>TClock</th> <th>Ratio</th> <th></th> </tr> </thead> <tbody> <tr> <td></td> <td>00</td> <td>33.3 MHz</td> <td>133 MHz</td> <td>33.3 MHz</td> <td>1:4:1</td> <td>Note 1</td> </tr> <tr> <td></td> <td>01</td> <td>66.7 MHz</td> <td>100.0 MHz</td> <td>66.7 MHz</td> <td>2:3:2</td> <td>Note 2</td> </tr> <tr> <td></td> <td>10</td> <td>50.0 MHz</td> <td>100.0 MHz</td> <td>50.0 MHz</td> <td>1:2:1</td> <td></td> </tr> <tr> <td></td> <td>11</td> <td>33.3 MHz</td> <td>100.0 MHz</td> <td>33.3 MHz</td> <td>1:3:1</td> <td></td> </tr> </tbody> </table> <p>Notes 1. This setting is allowed with the 133 MHz model only. With the 100 MHz model, this setting is reserved. 2. This setting is allowed with the 100 MHz model only. With the 133 MHz model, this setting is reserved.</p> DivMode (1:0) (V_R4305) <table border="1"> <thead> <tr> <th>Example</th> <th>DivMode (1:0)</th> <th>MasterClock</th> <th>PClock</th> <th>TClock</th> <th>Ratio</th> <th></th> </tr> </thead> <tbody> <tr> <td></td> <td>00</td> <td>66.7 MHz</td> <td>66.7 MHz</td> <td>66.7 MHz</td> <td>1:1:1</td> <td></td> </tr> <tr> <td></td> <td>01</td> <td>–</td> <td>–</td> <td>–</td> <td>Reserved</td> <td></td> </tr> <tr> <td></td> <td>10</td> <td>40 MHz</td> <td>80 MHz</td> <td>40 MHz</td> <td>1:2:1</td> <td></td> </tr> <tr> <td></td> <td>11</td> <td>20 MHz</td> <td>60 MHz</td> <td>20 MHz</td> <td>1:3:1</td> <td></td> </tr> </tbody> </table> DivMode (2:0) (V_R4310) <table border="1"> <thead> <tr> <th>Example</th> <th>DivMode (2:0)</th> <th>MasterClock</th> <th>PClock</th> <th>TClock</th> <th>Ratio</th> <th></th> </tr> </thead> <tbody> <tr> <td></td> <td>000</td> <td>26.7 MHz</td> <td>133 MHz</td> <td>26.7 MHz</td> <td>1:5:1</td> <td></td> </tr> <tr> <td></td> <td>001</td> <td>22.2 MHz</td> <td>133 MHz</td> <td>22.2 MHz</td> <td>1:6:1</td> <td></td> </tr> <tr> <td></td> <td>010</td> <td>66.7 MHz</td> <td>167 MHz</td> <td>66.7 MHz</td> <td>2:5:2</td> <td>Note</td> </tr> <tr> <td></td> <td>011</td> <td>33.3 MHz</td> <td>100 MHz</td> <td>33.3 MHz</td> <td>1:3:1</td> <td></td> </tr> <tr> <td></td> <td>100</td> <td>33.3 MHz</td> <td>133 MHz</td> <td>33.3 MHz</td> <td>1:4:1</td> <td></td> </tr> <tr> <td></td> <td>101</td> <td>–</td> <td>–</td> <td>–</td> <td>Reserved</td> <td></td> </tr> <tr> <td></td> <td>110</td> <td>50.0 MHz</td> <td>100 MHz</td> <td>50.0 MHz</td> <td>1:2:1</td> <td></td> </tr> <tr> <td></td> <td>111</td> <td>33.3 MHz</td> <td>100 MHz</td> <td>33.3 MHz</td> <td>1:3:1</td> <td></td> </tr> </tbody> </table> <p>Note This setting is allowed with the 167 MHz model only. With the 133 MHz model, this setting is reserved.</p> <p>After power application, do not change the value of these pins; otherwise the operation is not guaranteed.</p> 	Example	DivMode (1:0)	MasterClock	PClock	TClock	Ratio			00	33.3 MHz	133 MHz	33.3 MHz	1:4:1	Note 1		01	66.7 MHz	100.0 MHz	66.7 MHz	2:3:2	Note 2		10	50.0 MHz	100.0 MHz	50.0 MHz	1:2:1			11	33.3 MHz	100.0 MHz	33.3 MHz	1:3:1		Example	DivMode (1:0)	MasterClock	PClock	TClock	Ratio			00	66.7 MHz	66.7 MHz	66.7 MHz	1:1:1			01	–	–	–	Reserved			10	40 MHz	80 MHz	40 MHz	1:2:1			11	20 MHz	60 MHz	20 MHz	1:3:1		Example	DivMode (2:0)	MasterClock	PClock	TClock	Ratio			000	26.7 MHz	133 MHz	26.7 MHz	1:5:1			001	22.2 MHz	133 MHz	22.2 MHz	1:6:1			010	66.7 MHz	167 MHz	66.7 MHz	2:5:2	Note		011	33.3 MHz	100 MHz	33.3 MHz	1:3:1			100	33.3 MHz	133 MHz	33.3 MHz	1:4:1			101	–	–	–	Reserved			110	50.0 MHz	100 MHz	50.0 MHz	1:2:1			111	33.3 MHz	100 MHz	33.3 MHz	1:3:1	
Example	DivMode (1:0)	MasterClock	PClock	TClock	Ratio																																																																																																																																		
	00	33.3 MHz	133 MHz	33.3 MHz	1:4:1	Note 1																																																																																																																																	
	01	66.7 MHz	100.0 MHz	66.7 MHz	2:3:2	Note 2																																																																																																																																	
	10	50.0 MHz	100.0 MHz	50.0 MHz	1:2:1																																																																																																																																		
	11	33.3 MHz	100.0 MHz	33.3 MHz	1:3:1																																																																																																																																		
Example	DivMode (1:0)	MasterClock	PClock	TClock	Ratio																																																																																																																																		
	00	66.7 MHz	66.7 MHz	66.7 MHz	1:1:1																																																																																																																																		
	01	–	–	–	Reserved																																																																																																																																		
	10	40 MHz	80 MHz	40 MHz	1:2:1																																																																																																																																		
	11	20 MHz	60 MHz	20 MHz	1:3:1																																																																																																																																		
Example	DivMode (2:0)	MasterClock	PClock	TClock	Ratio																																																																																																																																		
	000	26.7 MHz	133 MHz	26.7 MHz	1:5:1																																																																																																																																		
	001	22.2 MHz	133 MHz	22.2 MHz	1:6:1																																																																																																																																		
	010	66.7 MHz	167 MHz	66.7 MHz	2:5:2	Note																																																																																																																																	
	011	33.3 MHz	100 MHz	33.3 MHz	1:3:1																																																																																																																																		
	100	33.3 MHz	133 MHz	33.3 MHz	1:4:1																																																																																																																																		
	101	–	–	–	Reserved																																																																																																																																		
	110	50.0 MHz	100 MHz	50.0 MHz	1:2:1																																																																																																																																		
	111	33.3 MHz	100 MHz	33.3 MHz	1:3:1																																																																																																																																		
PLLCap (1:0)	–	PLL capacitor. Connect capacitor to adjust internal PLL.																																																																																																																																					
V _{DDP}	–	PLL V _{DD} . Power supply for internal PLL.																																																																																																																																					
GNDP	–	PLL GND. Ground for internal PLL.																																																																																																																																					
V _{DD}	–	Positive power supply pin.																																																																																																																																					
GND	–	Ground pin.																																																																																																																																					

2. ELECTRICAL SPECIFICATIONS

Absolute Maximum Ratings (T_A = 25°C)

Parameter	Symbol	Conditions	Ratings	Unit
Supply voltage	V _{DD}		-0.5 to +4.0	V
Input voltage ^{Note}	V _I		-0.5 to V _{DD} + 0.3	V
		Pulse of less than 10 ns	-1.5 to V _{DD} + 0.3	V
Operating case temperature	T _C		0 to +85	°C
Storage temperature	T _{stg}		-65 to +150	°C

Note The upper limit of the input voltage (V_{DD} + 0.3) is +4.0 V.

Cautions 1. Do not short circuit two or more outputs at the same time.

2. Product quality may suffer if the absolute maximum rating is exceeded even momentarily for any parameter. That is, the absolute maximum ratings are rated values at which the product is on the verge of suffering physical damage, and therefore the product must be used under conditions that ensure that the absolute maximum ratings are not exceeded.

The specifications and conditions shown in the following DC Characteristics and AC Characteristics are the range within which the product can normally operate and the quality can be guaranteed.

DC Characteristics (T_C = 0 to +85°C, V_{DD} = 3.3 ±0.3 V): μPD30200-80, 30200-100

(T_C = 0 to +85°C, V_{DD} = 3.0 to 3.5 V): μPD30200-133, 30210-xxx

Parameter	Symbol	Conditions	MIN.	MAX.	Unit
Output voltage, high	V _{OH}	I _{OH} = -400 μA	2.4		V
Output voltage, high ^{Note 1}	V _{OHC}	I _{OH} = -400 μA	2.7		V
Output voltage, low	V _{OL}	I _{OL} = 2.5 mA		0.4	V
Input voltage, high	V _{IH}		2.0	V _{DD} + 0.3	V
Input voltage, low	V _{IL}		-0.5	+0.8	V
		Pulse of less than 10 ns	-1.5	+0.8	V
Input voltage, high ^{Note 2}	V _{IHC}		0.8V _{DD}	V _{DD} + 0.3	V
Input voltage, low ^{Note 2}	V _{ILC}		-0.5	0.2V _{DD}	V
		Pulse of less than 10 ns	-1.5	0.2V _{DD}	V
Supply current	I _{DD}	μPD30200	at 80 MHz operation	0.60	A
			at 100 MHz operation	0.67	A
			at 133 MHz operation	0.90	A
	μPD30210	at 133 MHz operation	0.69	A	
		at 167 MHz operation	0.85	A	
Input leakage current, high	I _{LIH}	V _I = V _{DD}		10	μA
Input leakage current, low	I _{LIL}	V _I = 0 V		-10	μA
Output leakage current, high	I _{LOH}	V _O = V _{DD}		20	μA
Output leakage current, low	I _{LOL}	V _O = 0 V		-20	μA

Notes 1. Applied to the TClock pin.

2. Applied to the MasterClock pin only.

Remark The operating supply current is almost proportional to the operating clock frequency.

Capacitance (T_A = 25°C, V_{DD} = 0 V)

Parameter	Symbol	Conditions	MIN.	MAX.	Unit
Input capacitance	C _{In}	f _c = 1 MHz		10	pF
Output capacitance	C _{Out}	Unmeasured pins returned to 0 V.		10	pF

AC Characteristics (T_C = 0 to +85°C, V_{DD} = 3.3 ±0.3 V): μPD30200-80, 30200-100

(T_C = 0 to +85°C, V_{DD} = 3.0 to 3.5 V): μPD30200-133, 30210-xxx

Clock Parameters

(1) μPD30200-xxx

Parameter	Symbol	Conditions	μPD30200-80		μPD30200-100		μPD30200-133		Unit
			MIN.	MAX.	MIN.	MAX.	MIN.	MAX.	
Master clock high-level width	t _{MCKHigh}		3.5		3.5		3.5		ns
Master clock low-level width	t _{MCKLow}		3.5		3.5		3.5		ns
Master clock frequency ^{Note}		DivMode = 1:1	20	66.7	–	–	–	–	MHz
		DivMode = 1:2	20	66.7	20	66.7	34	66.7	MHz
		DivMode = 2:3	–	–	20	66.7	–	–	MHz
		DivMode = 1:3	20	66.7	20	66.7	24	66.7	MHz
		DivMode = 1:4	–	–	–	–	20	66.7	MHz
Master clock cycle	t _{MCKP}	DivMode = 1:1	15	50	–	–	–	–	ns
		DivMode = 1:2	15	50	15	50	15	29	ns
		DivMode = 2:3	–	–	15	50	–	–	ns
		DivMode = 1:3	15	50	15	50	15	41	ns
		DivMode = 1:4	–	–	–	–	15	50	ns
Clock jitter	t _{MCKJitter}			±500		±500		±500	ps
Master clock rise time	t _{MCRise}			4.0		4.0		4.0	ns
Master clock fall time	t _{MCFall}			4.0		4.0		4.0	ns
JTAG clock cycle	t _{JTAGCKP}		4 × t _{MCKP}		4 × t _{MCKP}		4 × t _{MCKP}		ns

★ **Note** The operation of the internal PLL of the μPD30200-xxx is guaranteed. The RP mode is supported only by μPD30200-80 and 30200-100 and guaranteed when the master clock frequency is 40 MHz or higher.

(2) μPD30210-xxx

Parameter	Symbol	Conditions	μPD30210-133		μPD30210-167		Unit
			MIN.	MAX.	MIN.	MAX.	
Master clock high-level width	t _{MCKHigh}		3.5		3.5		ns
Master clock low-level width	t _{MCKLow}		3.5		3.5		ns
Master clock frequency ^{Note}		DivMode = 2.0	50	66.7	50	83.3	MHz
		DivMode = 2.5	–	–	40	66.7	MHz
		DivMode = 3.0	33.3	44.4	33.3	55.6	MHz
		DivMode = 4.0	25	33.3	25	41.7	MHz
		DivMode = 5.0	20	26.7	20	33.3	MHz
		DivMode = 6.0	20	22.2	20	27.8	MHz
Master clock cycle	t _{MCKP}	DivMode = 2.0	15	20	15	20	ns
		DivMode = 2.5	–	–	15	25	ns
		DivMode = 3.0	22	30	18	30	ns
		DivMode = 4.0	30	40	24	40	ns
		DivMode = 5.0	37	50	30	50	ns
		DivMode = 6.0	45	50	36	50	ns
Clock jitter	t _{MCJitter}			±500		±500	ps
Master clock rise time	t _{MCRise}			4.0		4.0	ns
Master clock fall time	t _{MCFall}			4.0		4.0	ns
JTAG clock cycle	t _{JTAGCKP}		4 × t _{MCKP}		4 × t _{MCKP}		ns

★ **Note** The operation of the internal PLL of the μPD30210-xxx is guaranteed. The RP mode is not supported by the μPD30210-xxx.

System Interface Parameters

(1) μPD30200-80 (T_c = 0 to 85°C, V_{DD} = 3.3 ±0.3 V)

Parameter	Symbol	Conditions	At 66.7 MHz Input ^{Note 3}		At 40 MHz Input ^{Note 3}		At 33.3 MHz Input ^{Note 3}		Unit
			MIN.	MAX.	MIN.	MAX.	MIN.	MAX.	
Data output delay time ^{Note 1}	t _{DO}	C _L = 50 pF	2.0	8.0	2.0	8.0	2.0	8.0	ns
Data setup delay time ^{Note 1}	t _{DS}		3.5		3.5		3.5		ns
Data hold delay time ^{Note 1}	t _{DH}		1.5		1.5		1.5		ns
Clock rise time ^{Note 2}	t _{CO} Rise	C _L = 50 pF		4.0		4.0		4.0	ns
Clock fall time ^{Note 2}	t _{CO} Fall			4.0		4.0		4.0	ns
Clock high-level width ^{Note 2}	t _{CO} High		3.5		8.5		11.0		ns
Clock low-level width ^{Note 2}	t _{CO} Low		3.5		8.5		11.0		ns

- Notes**
1. Applied to all interface pins.
 2. Applied to TClock pin.
 3. Master clock frequency (example)

(2) μPD30200-100 (T_c = 0 to 85°C, V_{DD} = 3.3 ±0.3 V)

Parameter	Symbol	Condition	At 66.7 MHz Input ^{Note 4}		At 62.5 MHz Input ^{Note 4}		At 50 MHz Input ^{Note 4}		At 33.3 MHz Input ^{Note 4}		Unit
			MIN.	MAX.	MIN.	MAX.	MIN.	MAX.	MIN.	MAX.	
Data output delay time ^{Note 1}	t _{DO}	C _L = 50 pF	2.0	8.0	2.0	8.0	2.0	8.0	2.0	8.0	ns
Data setup delay time ^{Note 1}	t _{DS}		3.5		3.5		3.5		3.5		ns
Data hold delay time ^{Note 1}	t _{DH}		1.5		1.5		1.5		1.5		ns
Mode data setup time ^{Note 2}	t _{MDS}		3.5		3.5		3.5		3.5		ns
Clock rise time ^{Note 3}	t _{CO} Rise	C _L = 50 pF		4.0		4.0		4.0		4.0	ns
Clock fall time ^{Note 3}	t _{CO} Fall			4.0		4.0		4.0		4.0	ns
Clock high-level width ^{Note 3}	t _{CO} High		3.5		4.0		6.0		11.0		ns
Clock low-level width ^{Note 3}	t _{CO} Low		3.5		4.0		6.0		11.0		ns

- Notes**
1. Applied to all interface pins (except DivMode (1:0) pin).
 2. Applied to DivMode (1:0) pin.
 3. Applied to TClock pin.
 4. Master clock frequency (example)

(3) μPD30200-133 (T_c = 0 to 85°C, V_{DD} = 3.0 to 3.5 V)

Parameter	Symbol	Conditions	At 66.7 MHz Input ^{Note 4}		At 44.4 MHz Input ^{Note 4}		At 33.3 MHz Input ^{Note 4}		Unit
			MIN.	MAX.	MIN.	MAX.	MIN.	MAX.	
Data output delay time ^{Note 1}	t _{DO}	C _L = 50 pF	2.0	8.0	2.0	8.0	2.0	8.0	ns
Data setup delay time ^{Note 1}	t _{DS}		3.5		3.5		3.5		ns
Data hold delay time ^{Note 1}	t _{DH}		1.5		1.5		1.5		ns
Mode data setup time ^{Note 2}	t _{MDS}		3.5		3.5		3.5		ns
Clock rise time ^{Note 3}	t _{CO Rise}	C _L = 50 pF		4.0		4.0		4.0	ns
Clock fall time ^{Note 3}	t _{CO Fall}			4.0		4.0		4.0	ns
Clock high-level width ^{Note 3}	t _{CO High}		3.5		7.2		11.0		ns
Clock low-level width ^{Note 3}	t _{CO Low}		3.5		7.2		11.0		ns

- Notes**
1. Applied to all interface pins (except DivMode (1:0) pin).
 2. Applied to DivMode (1:0) pin.
 3. Applied to TClock pin.
 4. Master clock frequency (example)

(4) μPD30210-xxx (T_c = 0 to 85°C, V_{DD} = 3.0 to 3.5 V)

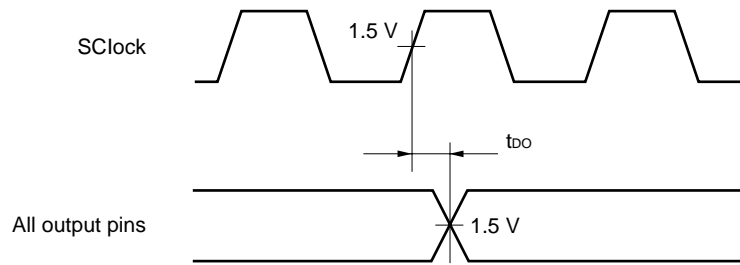
Parameter	Symbol	Conditions	At 66.7 MHz Input ^{Note 3}		At 33.3 MHz Input ^{Note 3}		Unit	
			MIN.	MAX.	MIN.	MAX.		
Data output delay time ^{Note 1}	t _{DO}	C _L = 50 pF	at 133 MHz operation	2.0	8.0	2.0	8.0	ns
			at 167 MHz operation	1.5	8.0	1.5	8.0	
Data setup delay time ^{Note 1}	t _{DS}		3.5		3.5		ns	
Data hold delay time ^{Note 1}	t _{DH}		1.5		1.5		ns	
Clock rise time ^{Note 2}	t _{CO Rise}	C _L = 50 pF		4.0		4.0	ns	
Clock fall time ^{Note 2}	t _{CO Fall}			4.0		4.0	ns	
Clock high-level width ^{Note 2}	t _{CO High}		3.5		11.0		ns	
Clock low-level width ^{Note 2}	t _{CO Low}		3.5		11.0		ns	

- Notes**
1. Applied to all interface pins.
 2. Applied to TClock pin.
 3. Master clock frequency (example)

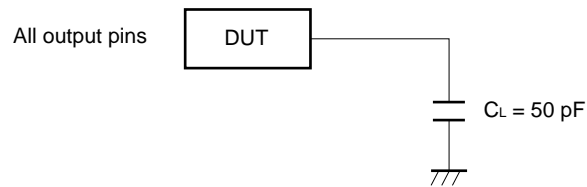
Load Coefficient

Parameter	Symbol	Conditions	Rating		Unit
			MIN.	MAX.	
Load coefficient	CLD			2	ns/25 pF

Test Conditions

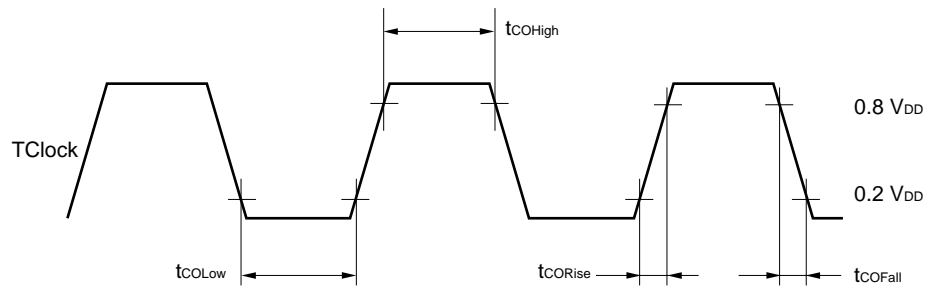
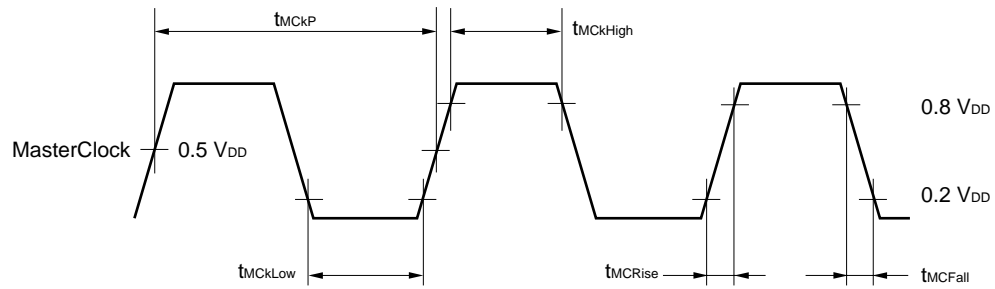


Test Load

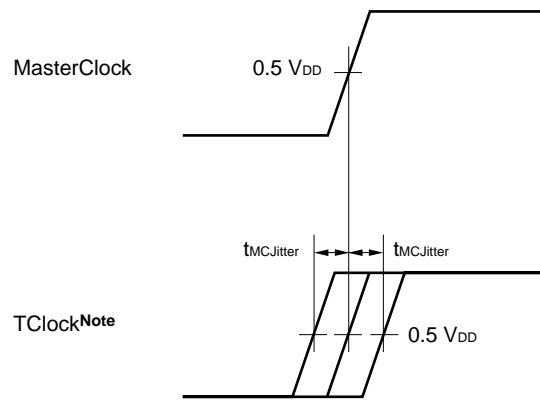


Timing Charts

Clock timing



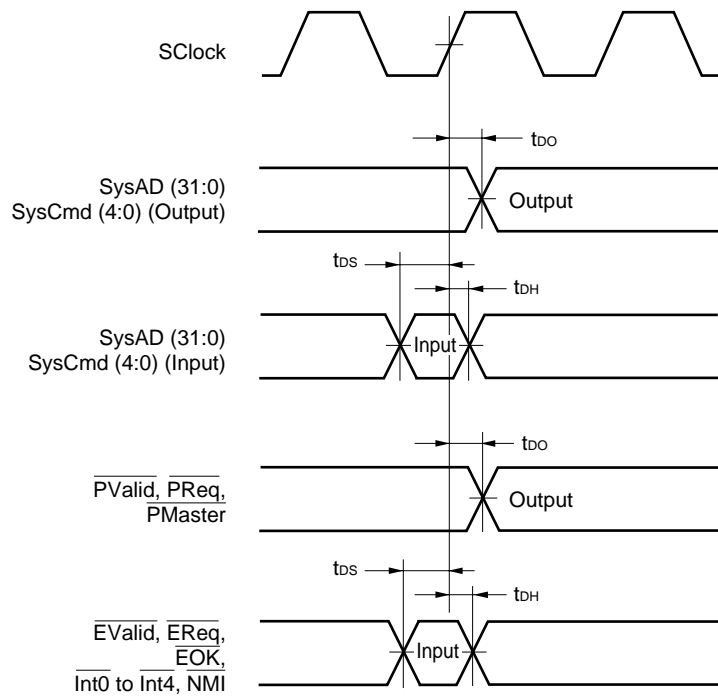
Clock jitter



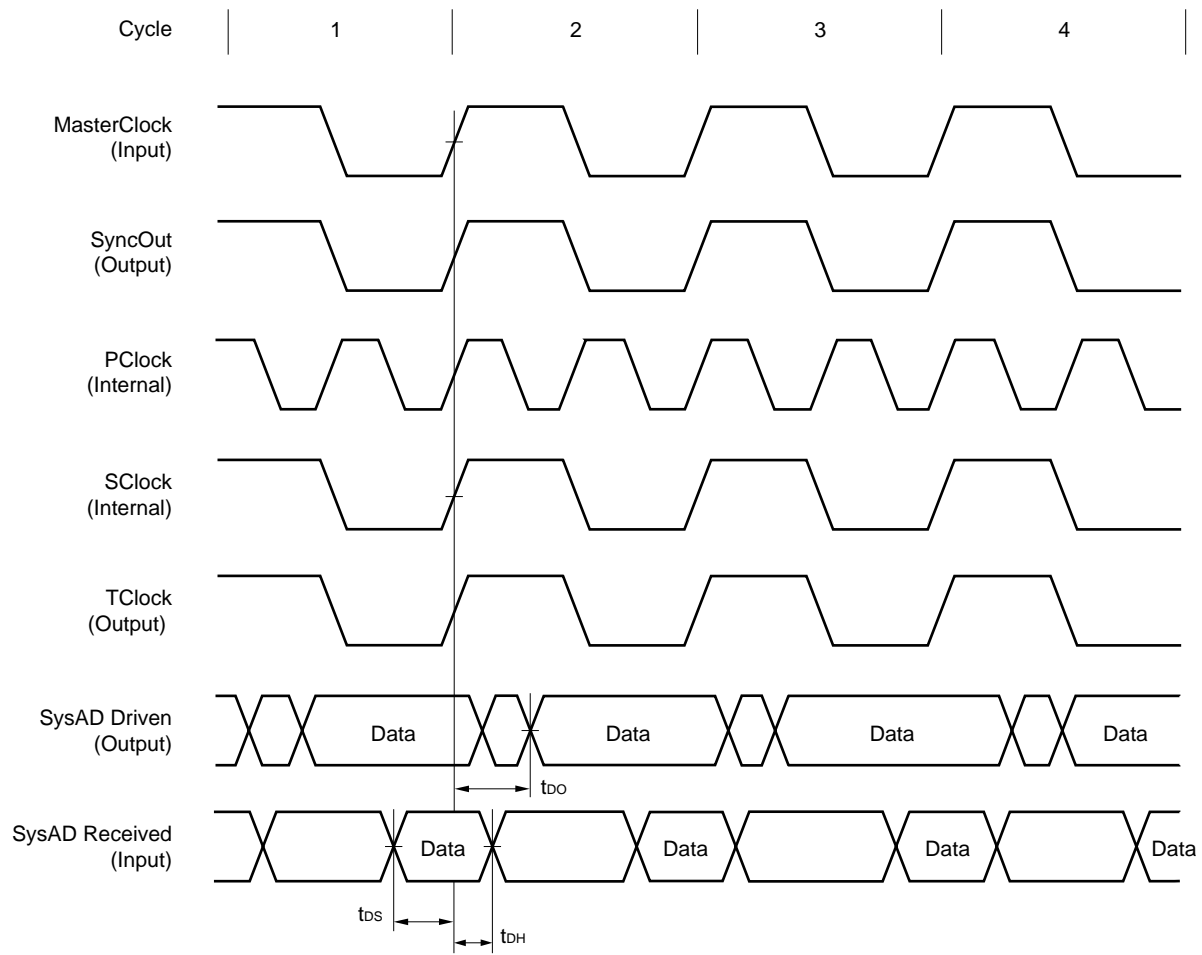
Note If SyncOut and SyncIn are connected with the shortest path, the point of TClock = 50% is the point of MasterClock = 50%.

Remark To match the MasterClock edge, make the load capacitance of the SyncIn/SyncOut path the same as that of TClock.

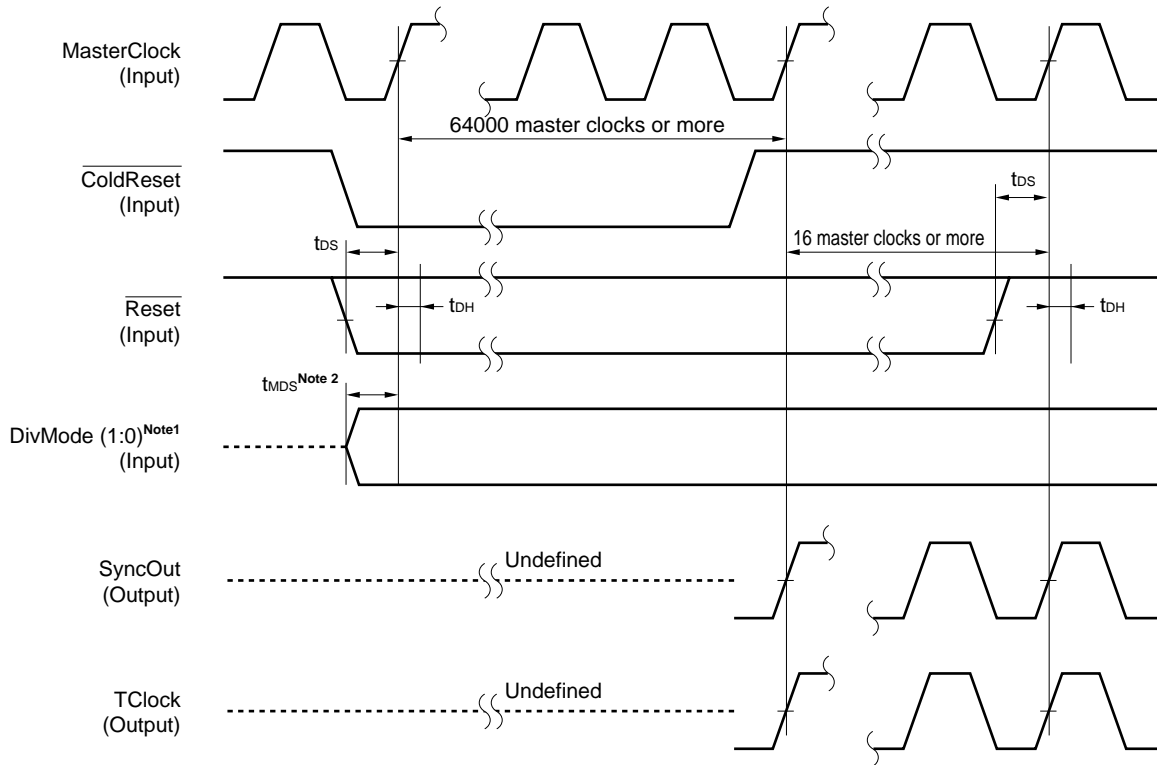
System interface edge timing



Clocking relationships

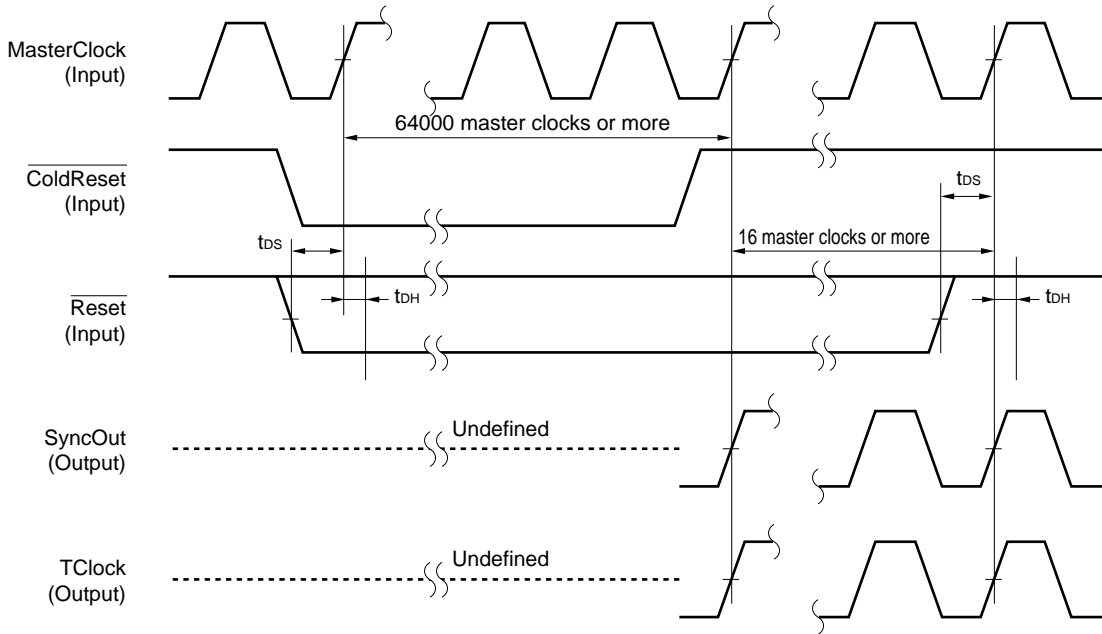


Power-on reset timing

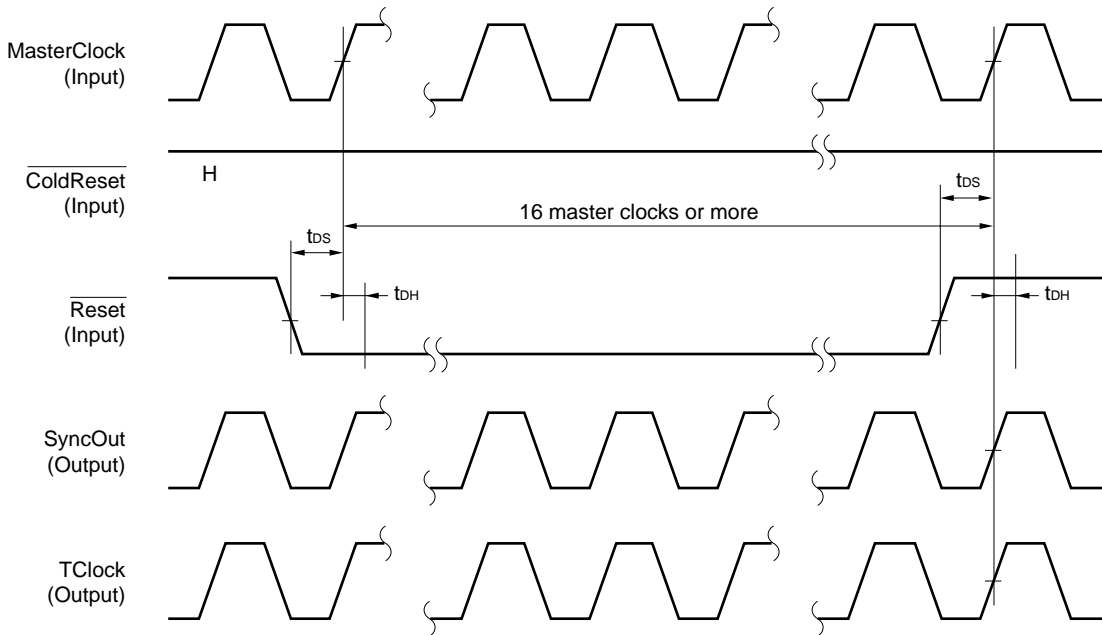


- Notes**
1. In the μ PD30200-xxx. DivMode (2:0) in the μ PD30210-xxx.
 2. In the μ PD30200-100 and 30200-133. t_{ds} in the μ PD30200-80 and 30210-xxx.

Cold reset timing

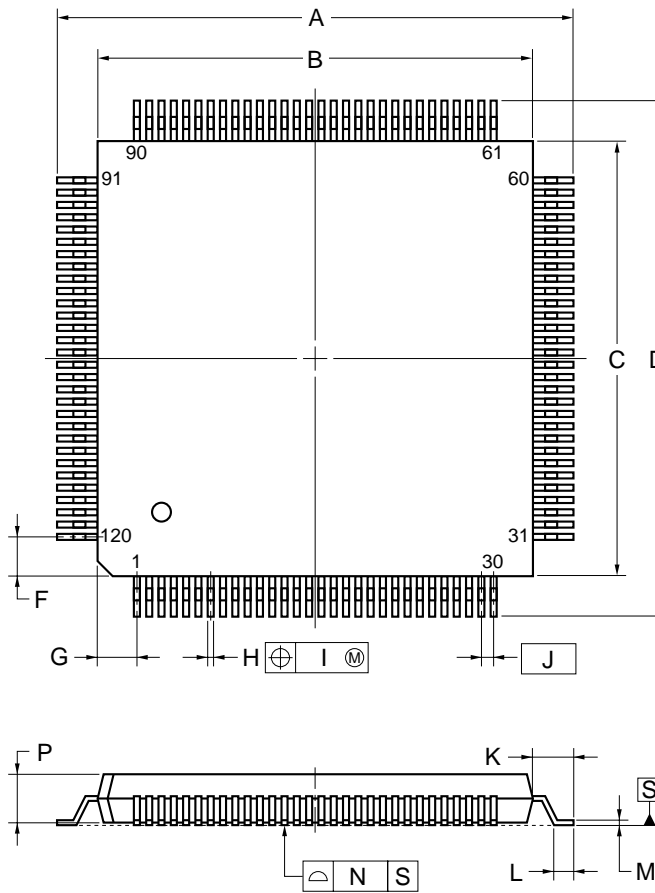


Software reset timing

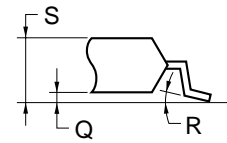


3. PACKAGE DRAWING

120 PIN PLASTIC QFP (28x28)



detail of lead end



NOTE

Each lead centerline is located within 0.15 mm of its true position (T.P.) at maximum material condition.

ITEM	MILLIMETERS
A	32.0±0.3
B	28.0±0.2
C	28.0±0.2
D	32.0±0.3
F	2.4
G	2.4
H	0.37 ^{+0.08} _{-0.07}
I	0.15
J	0.8 (T.P.)
K	2.0±0.2
L	0.8±0.2
M	0.17 ^{+0.08} _{-0.07}
N	0.1
P	3.2
Q	0.1±0.1
R	5°±5°
S	3.3±0.2

P120GD-80-LBB, MBB-2

4. RECOMMENDED SOLDERING CONDITIONS

The products should be soldered and mounted under the following recommended conditions.

For the details of the recommended soldering conditions, refer to the document **Semiconductor Device Mounting Technology Manual (C10535E)**.

For soldering methods and conditions other than those recommended below, contact your NEC representative.

Table 4-1. Surface Mounting Type Soldering Conditions

μPD30200GD-80-LBB: 120-pin plastic QFP (28 × 28 mm)

μPD30200GD-100-MBB: 120-pin plastic QFP (28 × 28 mm)

μPD30200GD-133-MBB: 120-pin plastic QFP (28 × 28 mm)

μPD30210GD-xxx-MBB: 120-pin plastic QFP (28 × 28 mm)

Soldering Method	Soldering Conditions	Recommended Condition Symbol
Infrared reflow	Package peak temperature: 235°C, Time: 30 seconds max. (at 210°C or higher), Count: Two times or less, Exposure limit: 7 days ^{Note} (after that, prebake at 125°C for 36 hours.)	IR35-367-2
VPS	Package peak temperature: 215°C, Time: 40 seconds max, (at 200°C or higher), Count: Two times or less, Exposure limit: 7 days ^{Note} (after that, prebake at 125°C for 36 hours.)	VP15-367-2
Wave soldering	Solder bath temperature: 260°C max., Time: 10 seconds max., Count: Once, Preheating temperature: 120°C max. (package surface temperature), Exposure limit: 7 days ^{Note} (after that, prebake at 125°C for 36 hours)	WS60-367-1
Partial heating	Pin temperature: 300°C max., Time: 3 seconds max. (per pin row)	–

Note After opening the dry pack, store it at 25°C or less and 65% RH or less for the allowable storage period.

Caution Do not use different soldering methods together (except for partial heating).

APPENDIX DIFFERENCES BETWEEN THE V_R4300, V_R4305, V_R4310 AND V_R4100™

Parameter		V _R 4300	V _R 4305	V _R 4310	V _R 4100
System bus	Write data transfer	Two buses (D/D××)			Four buses (D/D×/D××/D×××)
	Initial value setting pins at reset time	DivMode (1:0) (Can be set on power application only)		DivMode (2:0) (Can be set on power application only)	BigEndian, Div2, HizParity
	Block write access	Sequential ordering			Subblock ordering
	State after final data write	Final data retained in transfer rate setting			End of access
	Non-cache high-speed write	Provided			Provided (Set with a register)
CPU	Corresponding instructions	MIPS I, II, and III instruction sets			MIPS I, II, III instruction sets plus sum-of-products arithmetic
Cache memory	Data protection	None			Word parity (instructions), byte parity (data)
JTAG interface		Provided			None
SyncOut-SyncIn path		Provided			None
Clock interface	Input vs. internal multiplication rate	1.5 ^{Note 1} , 2, 3, 4 ^{Note 2}	1, 2, 3	2, 2.5 ^{Note 3} , 3, 4, 5, 6	4
	Internal vs. bus frequency division rate	1.5 ^{Note 1} , 2, 3, 4 ^{Note 2}	1, 2, 3	2, 2.5 ^{Note 3} , 3, 4, 5, 6	1, 2
Power mode	Low-power mode	Pipeline/system bus operated at a quarter of the normal rate ^{Note 4}		None	None
	Wait mode	None			Three types
PRId register		Imp = 0×0B			Imp = 0×0C

★

- Notes**
1. The 1.5 times frequency setting is allowed with the 100 MHz model only. (With the 133 MHz model, this setting is reserved.)
 2. The 4 times frequency setting is allowed with the 133 MHz model only. (With the 100 MHz model, this setting is reserved.)
 3. The 2.5 times frequency setting is allowed with the 167 MHz model only. (With the 133 MHz model, this setting is reserved.)
 4. Not supported by the 133 MHz model of the V_R 4300.

NOTES FOR CMOS DEVICES**① PRECAUTION AGAINST ESD FOR SEMICONDUCTORS**

Note:

Strong electric field, when exposed to a MOS device, can cause destruction of the gate oxide and ultimately degrade the device operation. Steps must be taken to stop generation of static electricity as much as possible, and quickly dissipate it once, when it has occurred. Environmental control must be adequate. When it is dry, humidifier should be used. It is recommended to avoid using insulators that easily build static electricity. Semiconductor devices must be stored and transported in an anti-static container, static shielding bag or conductive material. All test and measurement tools including work bench and floor should be grounded. The operator should be grounded using wrist strap. Semiconductor devices must not be touched with bare hands. Similar precautions need to be taken for PW boards with semiconductor devices on it.

② HANDLING OF UNUSED INPUT PINS FOR CMOS

Note:

No connection for CMOS device inputs can be cause of malfunction. If no connection is provided to the input pins, it is possible that an internal input level may be generated due to noise, etc., hence causing malfunction. CMOS devices behave differently than Bipolar or NMOS devices. Input levels of CMOS devices must be fixed high or low by using a pull-up or pull-down circuitry. Each unused pin should be connected to V_{DD} or GND with a resistor, if it is considered to have a possibility of being an output pin. All handling related to the unused pins must be judged device by device and related specifications governing the devices.

③ STATUS BEFORE INITIALIZATION OF MOS DEVICES

Note:

Power-on does not necessarily define initial status of MOS device. Production process of MOS does not define the initial operation status of the device. Immediately after the power source is turned ON, the devices with reset function have not yet been initialized. Hence, power-on does not guarantee out-pin levels, I/O settings or contents of registers. Device is not initialized until the reset signal is received. Reset operation must be executed immediately after power-on for devices having reset function.

The related documents indicated in this publication may include preliminary versions. However, preliminary versions are not marked as such.

V_R4000, V_R4100, V_R4300, V_R4305, V_R4310, and V_R Series are trademarks of NEC Corporation.
MIPS is a trademark of MIPS Technologies Inc.

Regional Information

Some information contained in this document may vary from country to country. Before using any NEC product in your application, please contact the NEC office in your country to obtain a list of authorized representatives and distributors. They will verify:

- Device availability
- Ordering information
- Product release schedule
- Availability of related technical literature
- Development environment specifications (for example, specifications for third-party tools and components, host computers, power plugs, AC supply voltages, and so forth)
- Network requirements

In addition, trademarks, registered trademarks, export restrictions, and other legal issues may also vary from country to country.

NEC Electronics Inc. (U.S.)

Santa Clara, California
Tel: 408-588-6000
800-366-9782
Fax: 408-588-6130
800-729-9288

NEC Electronics (Germany) GmbH

Duesseldorf, Germany
Tel: 0211-65 03 02
Fax: 0211-65 03 490

NEC Electronics (UK) Ltd.

Milton Keynes, UK
Tel: 01908-691-133
Fax: 01908-670-290

NEC Electronics Italiana s.r.l.

Milano, Italy
Tel: 02-66 75 41
Fax: 02-66 75 42 99

NEC Electronics (Germany) GmbH

Benelux Office
Eindhoven, The Netherlands
Tel: 040-2445845
Fax: 040-2444580

NEC Electronics (France) S.A.

Velizy-Villacoublay, France
Tel: 01-30-67 58 00
Fax: 01-30-67 58 99

NEC Electronics (France) S.A.

Spain Office
Madrid, Spain
Tel: 91-504-2787
Fax: 91-504-2860

NEC Electronics (Germany) GmbH

Scandinavia Office
Taeby, Sweden
Tel: 08-63 80 820
Fax: 08-63 80 388

NEC Electronics Hong Kong Ltd.

Hong Kong
Tel: 2886-9318
Fax: 2886-9022/9044

NEC Electronics Hong Kong Ltd.

Seoul Branch
Seoul, Korea
Tel: 02-528-0303
Fax: 02-528-4411

NEC Electronics Singapore Pte. Ltd.

United Square, Singapore 1130
Tel: 65-253-8311
Fax: 65-250-3583

NEC Electronics Taiwan Ltd.

Taipei, Taiwan
Tel: 02-2719-2377
Fax: 02-2719-5951

NEC do Brasil S.A.

Electron Devices Division
Rodovia Presidente Dutra, Km 214
07210-902-Guarulhos-SP Brasil
Tel: 55-11-6465-6810
Fax: 55-11-6465-6829

J99.1

Exporting this product or equipment that includes this product may require a governmental license from the U.S.A. for some countries because this product utilizes technologies limited by the export control regulations of the U.S.A.

- **The information in this document is subject to change without notice. Before using this document, please confirm that this is the latest version.**
 - No part of this document may be copied or reproduced in any form or by any means without the prior written consent of NEC Corporation. NEC Corporation assumes no responsibility for any errors which may appear in this document.
 - NEC Corporation does not assume any liability for infringement of patents, copyrights or other intellectual property rights of third parties by or arising from use of a device described herein or any other liability arising from use of such device. No license, either express, implied or otherwise, is granted under any patents, copyrights or other intellectual property rights of NEC Corporation or others.
 - Descriptions of circuits, software, and other related information in this document are provided for illustrative purposes in semiconductor product operation and application examples. The incorporation of these circuits, software, and information in the design of the customer's equipment shall be done under the full responsibility of the customer. NEC Corporation assumes no responsibility for any losses incurred by the customer or third parties arising from the use of these circuits, software, and information.
 - While NEC Corporation has been making continuous effort to enhance the reliability of its semiconductor devices, the possibility of defects cannot be eliminated entirely. To minimize risks of damage or injury to persons or property arising from a defect in an NEC semiconductor device, customers must incorporate sufficient safety measures in its design, such as redundancy, fire-containment, and anti-failure features.
 - NEC devices are classified into the following three quality grades:
"Standard", "Special", and "Specific". The Specific quality grade applies only to devices developed based on a customer designated "quality assurance program" for a specific application. The recommended applications of a device depend on its quality grade, as indicated below. Customers must check the quality grade of each device before using it in a particular application.
 - Standard: Computers, office equipment, communications equipment, test and measurement equipment, audio and visual equipment, home electronic appliances, machine tools, personal electronic equipment and industrial robots
 - Special: Transportation equipment (automobiles, trains, ships, etc.), traffic control systems, anti-disaster systems, anti-crime systems, safety equipment and medical equipment (not specifically designed for life support)
 - Specific: Aircraft, aerospace equipment, submersible repeaters, nuclear reactor control systems, life support systems or medical equipment for life support, etc.
- The quality grade of NEC devices is "Standard" unless otherwise specified in NEC's Data Sheets or Data Books. If customers intend to use NEC devices for applications other than those specified for Standard quality grade, they should contact an NEC sales representative in advance.