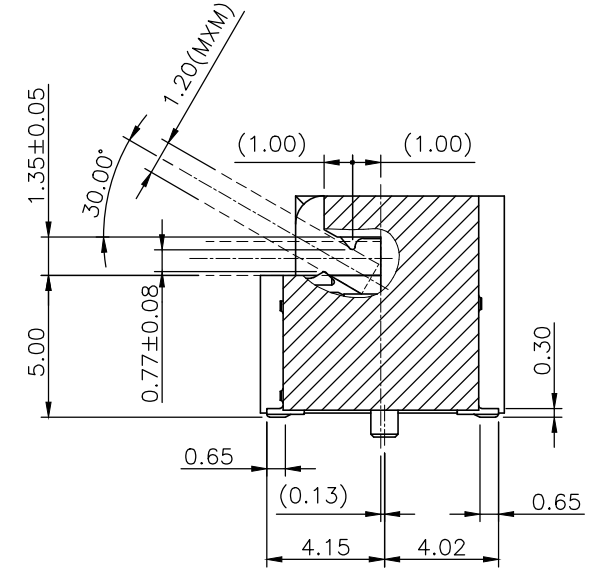
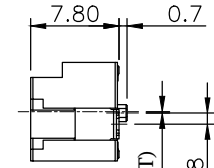
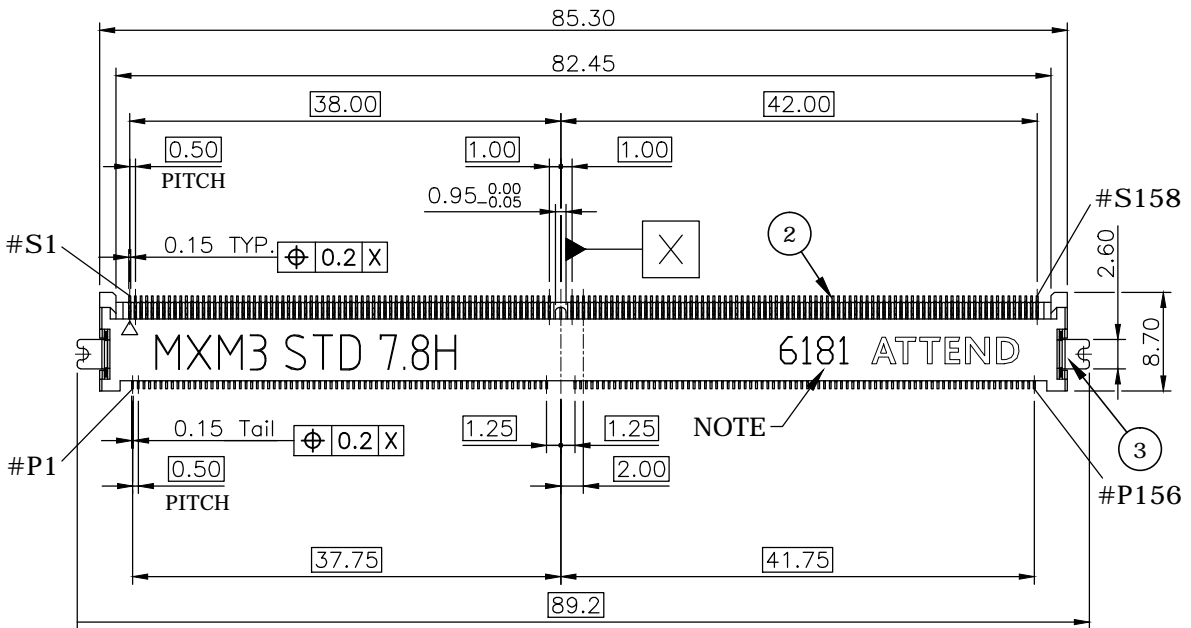
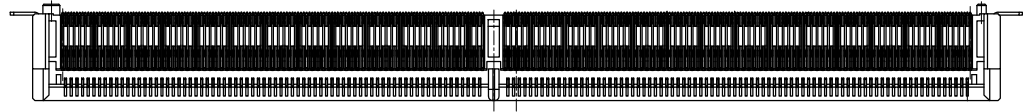
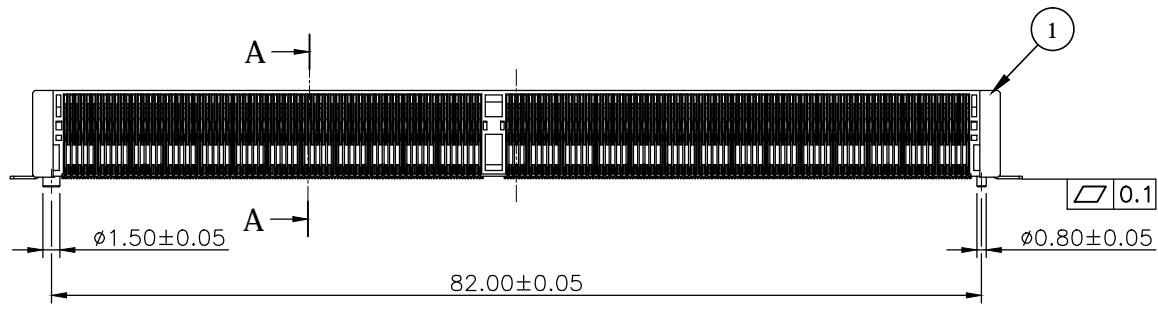


REV.	DESCRIPTION	DRAWN	DATE
0	PRELIMINARY	TIM	2016/07/28
1	INITIAL RELEASE	TIM	2016/09/23
2	CORRECTED	TIM	2016/11/04

NOTE:
DATE CODE: 6181 (YWWD)
Y : YEAR(2016)
WW: WEEK (01 ~ 52)
D : DAY (1 ~ 7)



SECTION A-A
SCALE 2.5: 1



3	SOLDERPEG	Copper Alloy,Matte TIN 80μ"MIN. Ni Under Plated 60μ"MIN.
2	CONTACT	Copper Alloy,Contact:Au Plated 5μ"MIN. Ni Under Plated 60μ"MIN.
1	HOUSING	LCP, UL94V-0, Black
NO.	PART NAME	DESCRIPTION

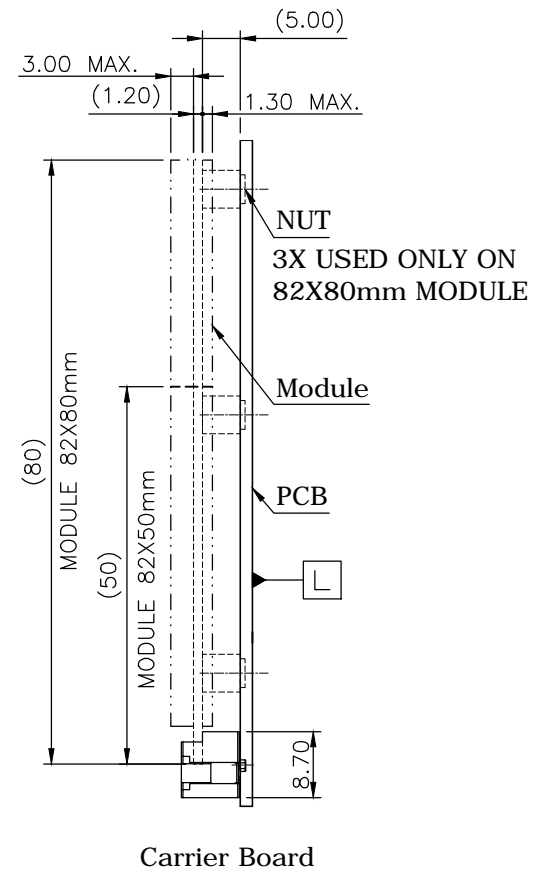
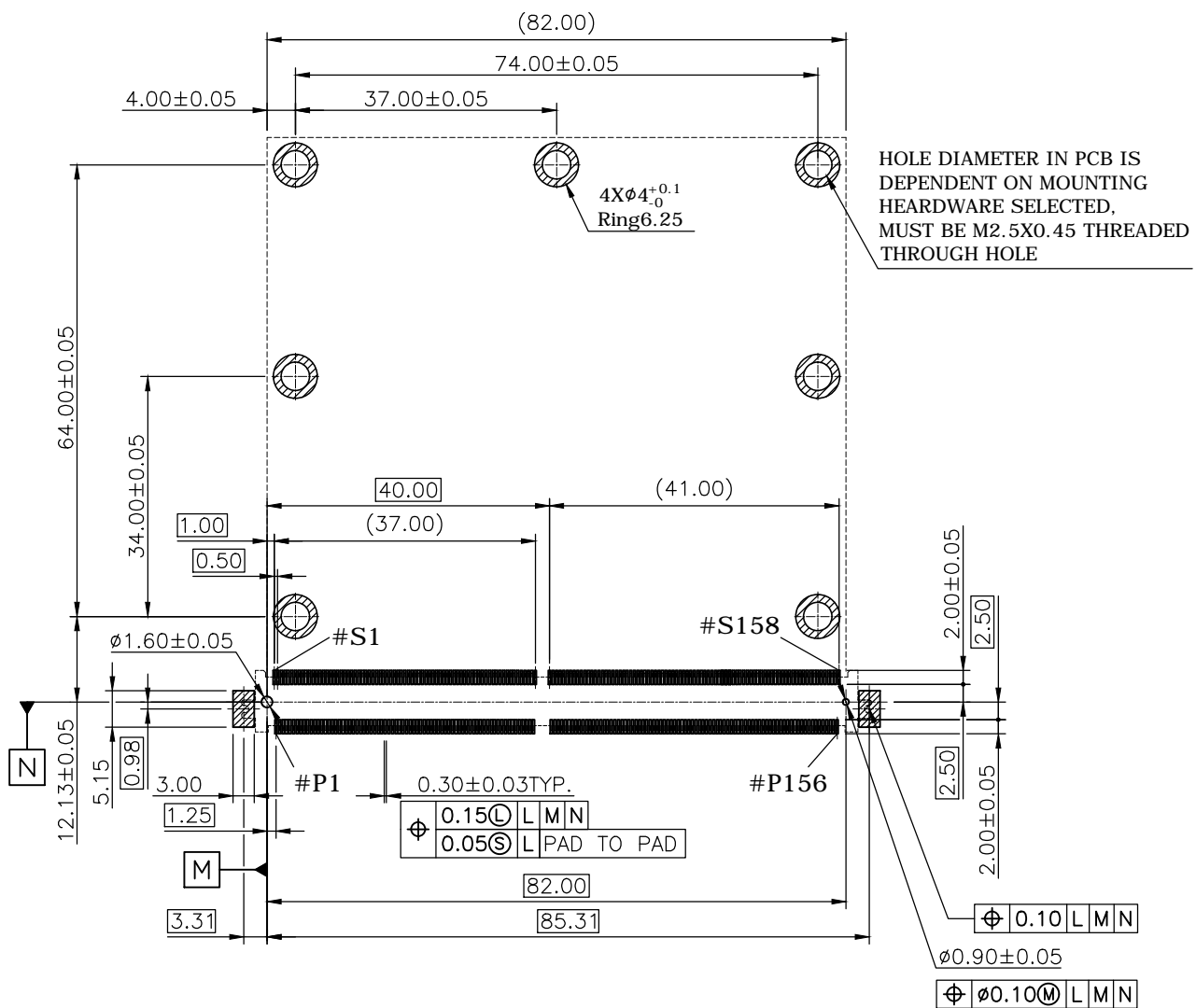
UNLESS OTHERWISE SPECIFIED TOLERANCE			
UNIT:	DECIMAL	LINEAR	ANGLES
mm	X.	±0.50	±5°
	X.X	±0.25	±3°
	X.XX	±0.12	±1°




WWW.ATTEND.COM.TW

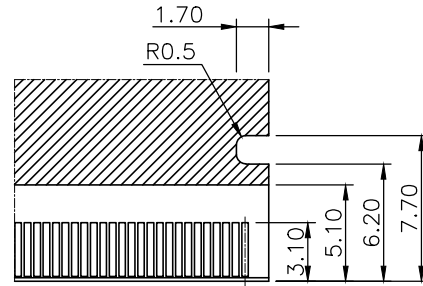
DRAWN	TIM	2016/07/28	DRAWN NAME:	MXM 3.0 314 pin for SMARC			
CHECKED	FROS	2016/07/28		0.5 Pitch, 7.8H, Standard Type, Reel			
APPROVED	Ken	2016/07/28	PRODUCT NO.	125B-78C00			
SCALE	1.5/1	SHEET	1/4	SIZE	A4	FILE NAME	125B-78C00_B_2

REV.	DESCRIPTION	DRAWN	DATE
	SEE SHEET ONE		

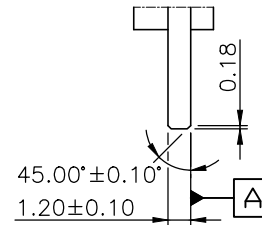


UNLESS OTHERWISE SPECIFIED TOLERANCE				 WWW.ATTEND.COM.TW
UNIT:	DECIMAL	LINEAR	ANGLES	
mm	X.	±0.50	±5°	
	X.X	±0.25	±3°	
	X.XX	±0.12	±1°	
DRAWN	TIM	2016/07/28	DRAWN NAME:	
CHECKED	FROS	2016/07/28	MXM 3.0 314 pin for SMARC 0.5 Pitch, 7.8H, Standard Type, Reel	
APPROVED	Ken	2016/07/28	PRODUCT NO. 125B-78C00	
SCALE	SHEET	SIZE	FILE NAME	
1/1	2/4	A4	125B-78C00_B_2	

REV.	DESCRIPTION	DRAWN	DATE
	SEE SHEET ONE		



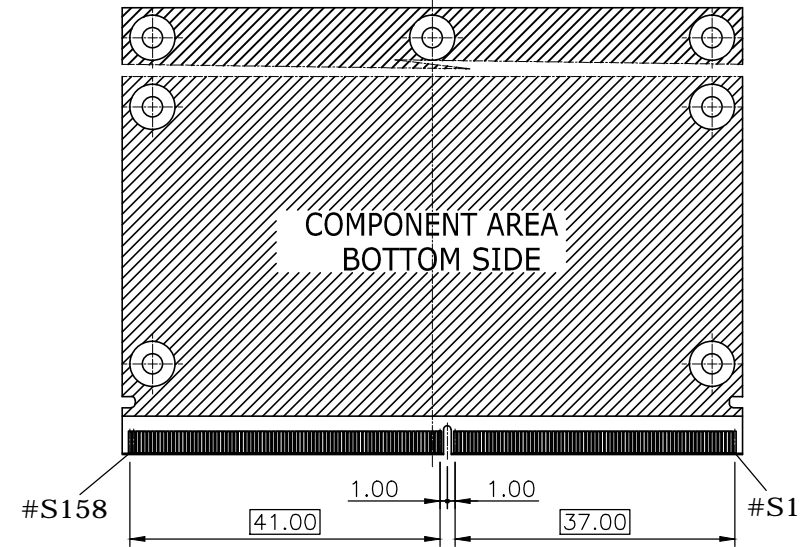
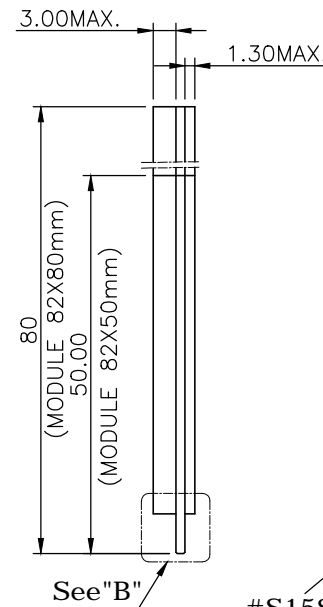
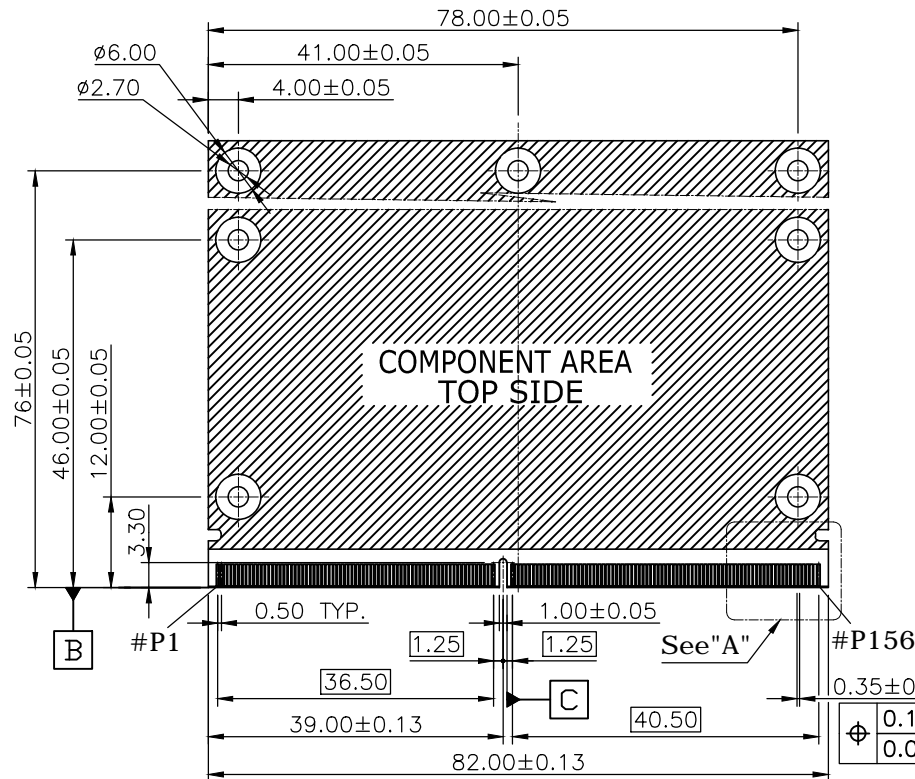
DETAIL A
SCALE 2.5:1



DETAIL B
SCALE 2.5:1

NOTES; (APPLIED TO SHEET 3)

- 1.TOLERANCES ON ALL DIMENSION ± 0.1 UNLESS OTHERWISE SPECIFIED.
- 2.P.C.BOARD THICKNESS APPLIES ACROSS TABS AND INCLUDES PLATING AND/OR METALIZATION.
- 3.FINISH OF PAD : GOLD PLATING 30μ "MIN. OVER Ni PLATING 80μ "MIN.
- 4.The common dimension for MXM3.0-TYPE A,B when there is no special mention.



ϕ	0.15(L)	A	B	C
ϕ	0.05(S)	A	PAD TO PAD	

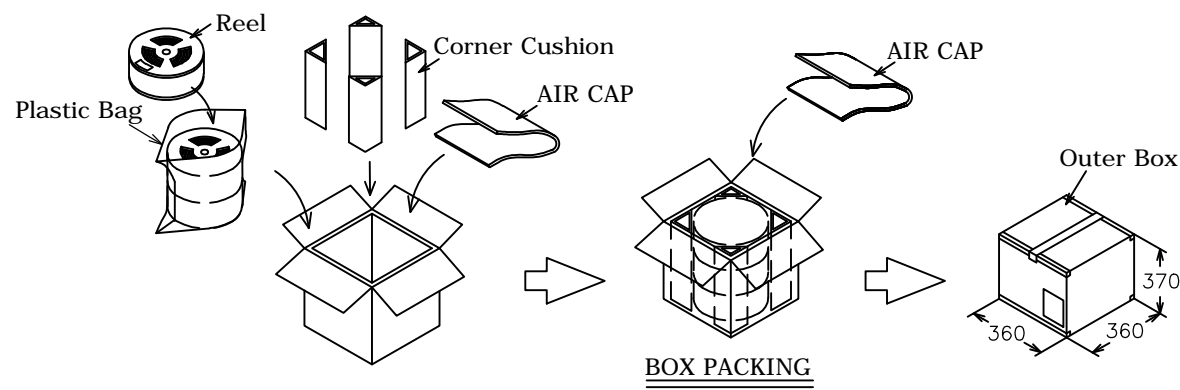
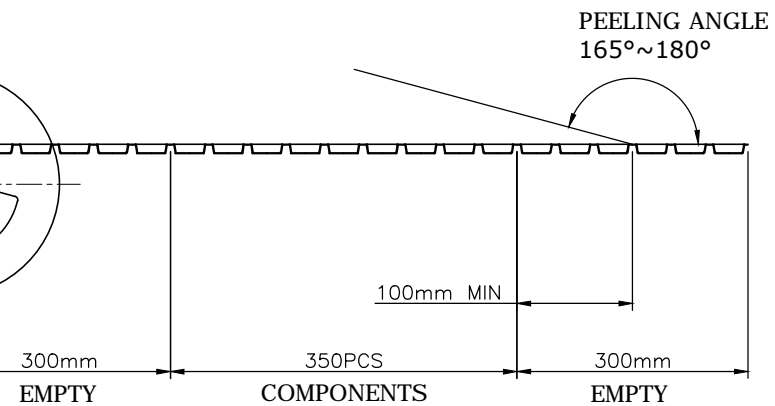
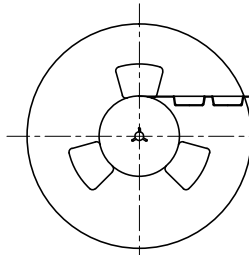
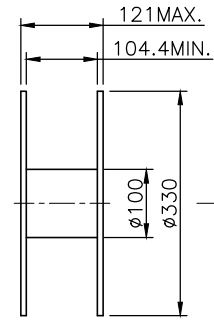
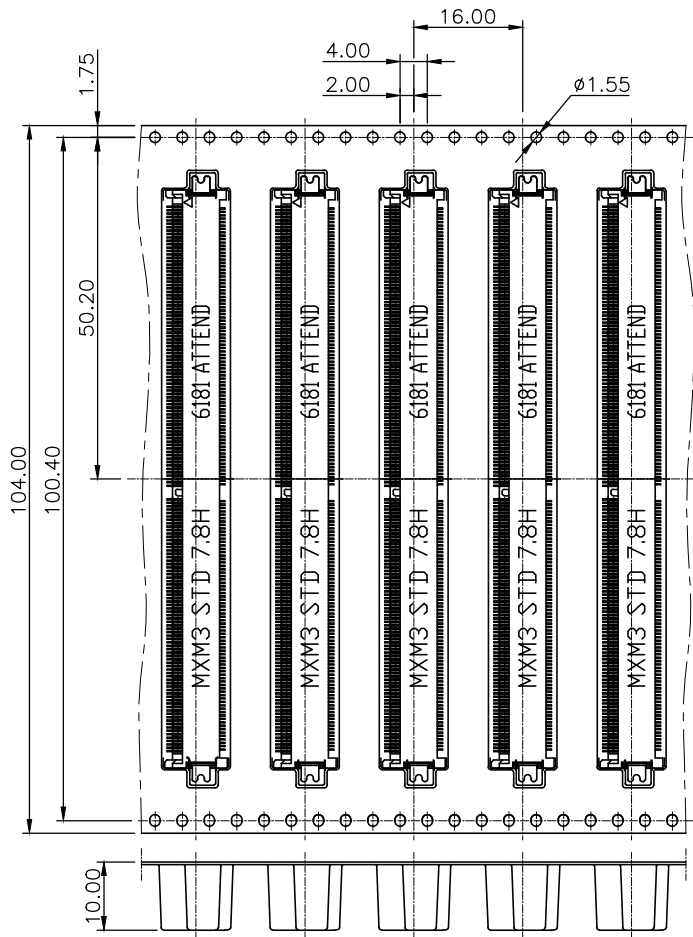
UNLESS OTHERWISE SPECIFIED TOLERANCE			
UNIT:	DECIMAL	LINEAR	ANGLES
mm	X.	± 0.50	$\pm 5^\circ$
	X.X	± 0.25	$\pm 3^\circ$
	X.XX	± 0.12	$\pm 1^\circ$



WWW.ATTEND.COM.TW


DRAWN	TIM	2016/07/28	DRAWN NAME:
CHECKED	FROS	2016/07/28	MXM 3.0 314 pin for SMARC
APPROVED	Ken	2016/07/28	0.5 Pitch, 7.8H, Standard Type, Reel
ϕ	SCALE	SHEET	SIZE
	1/1	3/4	A4
PRODUCT NO.		125B-78C00	FILE NAME
			125B-78C00_B_2

REV.	DESCRIPTION	DRAWN	DATE
	SEE SHEET ONE		

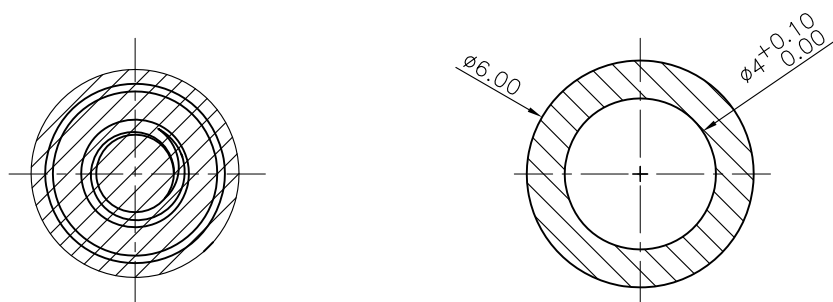


PACKAGING SPECIFICATION:

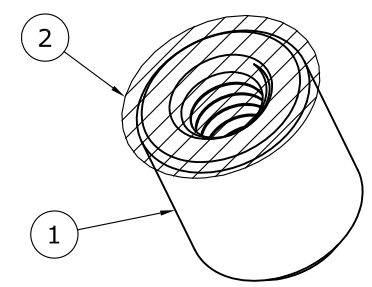
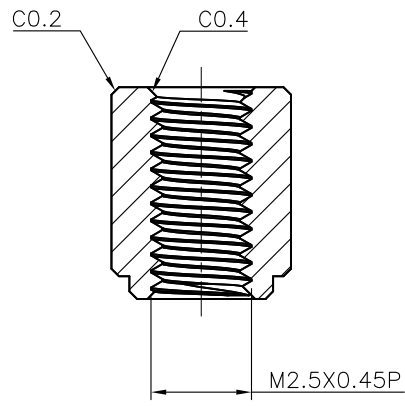
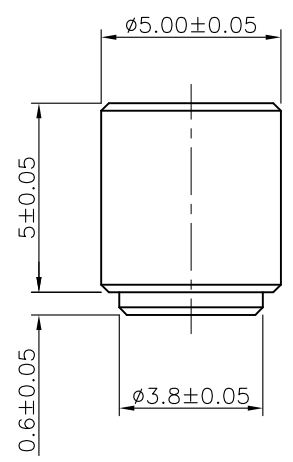
- 1. PACKING
- 1.1 Quantity:
 - 350 Piece/ Reel
 - 1050 Piece/ Carton

UNLESS OTHERWISE SPECIFIED TOLERANCE				 WWW.ATTEND.COM.TW
UNIT:	DECIMAL	LINEAR	ANGLES	
mm	X.	±0.50	±5°	
	X.X	±0.25	±3°	
	X.XX	±0.12	±1°	
DRAWN	TIM	2016/07/28	DRAWN NAME:	
CHECKED	FROS	2016/07/28	MXM 3.0 314 pin for SMARC	
APPROVED	Ken	2016/07/28	0.5 Pitch, 7.8H, Standard Type, Reel	
	SCALE	SHEET	SIZE	PRODUCT NO.
	N/A	4/4	A4	125B-78C00
			FILE NAME	125B-78C00_B_2

REV.	DESCRIPTION	DRAWN	DATE
1	INITIAL RELEASE	FROS	2016/07/25



Recommended Layout (top view)
General Tolerance: $\pm 0.05\text{mm}$

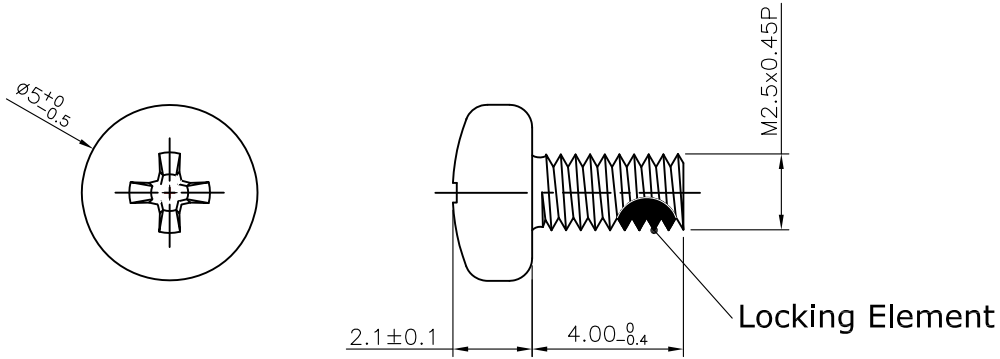


2	MYLAR	0.1t		
1	NUT	Low Lead Brass, Tin Plating		
NO.	PART NAME	DESCRIPTION		
UNLESS OTHERWISE SPECIFIED TOLERANCE				
UNIT:	DECIMAL	LINEAR	ANGLES	
mm	X.	± 0.50	$\pm 5^\circ$	
	X.X	± 0.25	$\pm 3^\circ$	
	X.XX	± 0.12	$\pm 1^\circ$	
DRAWN		Fros	2016/07/25	DRAWN NAME:
CHECKED		Tim	2016/07/25	Nut, M2.5x0.45P, 5H, Reel
APPROVED		Ken	2016/07/25	PRODUCT NO. 125-NUT-78
	SCALE	SHEET	SIZE	FILE NAME
	5/1	1/1	A4	125-NUT-78_B_1




WWW.ATTEND.COM.TW

REV.	DESCRIPTION	DRAWN	DATE
1	INITIAL RELEASE	FROS	2016/07/25



Material: C1018, Nickel plating + NYLOK
Packing: Polybag

UNLESS OTHERWISE SPECIFIED TOLERANCE						
UNIT:	DECIMAL	LINEAR	ANGLES			WWW.ATTEND.COM.TW
mm	X.	±0.50	±5°	DRAWN NAME: Phillips Head Screw, M2.5x0.45P, 4L, Nylok		
	X.X	±0.25	±3°			
	X.XX	±0.12	±1°			
DRAWN	Fros	2016/07/25	DRAWN NAME:			
CHECKED	Tim	2016/07/25	PRODUCT NO. 125-SCREW			
APPROVED	Ken	2016/07/25	SCALE	SHEET	SIZE	FILE NAME
			5/1	1/1	A4	125-SCREW_B_1

TEST REPORT OF PRODUCT SPECIFICATION

Series	125A-78C00 125B-78C00	File	125-Series_test	Date	2016/11/15
--------	--------------------------	------	-----------------	------	------------

INTRODUCTION:

Testing was performed on the MXM CONNECTOR SERIES to determine if it meets the requirements of Product Specification (125-Series_SPEC)

CONCLUSION:

As a result of testing, all the tested values are meeting the requirements of Product Specification (125-Series_SPEC), proving the tested products are successfully acceptable.

TEST SAMPLE:

MXM CONNECTOR 230P 7.8H / MXM3 CONNECTOR 314P 7.8H

P/N: 125A-78C00 / 125B-78C00

SAMPLE QUANTITY

Test Item	Conn. Qty.	Measurement Qty.	Note
Examination of Product	1	All pos.	—
Low level contact resistance	1	10 pos.	—
Mating/Unmating Force	1	All pos.	—
Dielectric withstanding voltage	1	1 pair	
Insulation Resistance	1	1 pair	
Durability	1	All pos.	—
Durability (Preconditioning)	1	All pos.	—
Vibration	1	All pos.	—
Mechanical Shock	1	All pos.	—
Solder Peg Retention Force	1	10 pcs.	—
Contact Retention Force	1	10 pcs.	—
Humidity Temperature Cycling	1	All pos.	—
Thermal Shock	1	All pos.	
Temperature Life	1	All pos.	
Temperature Life (Preconditioning)	1	All pos.	—
Reseating	1	All pos.	—
Reflow Soldering Heat Resistance	10	All pos.	—
Solderability	5	All pos.	—

TEST SEQUENCE:

Test Item	Test Group									
	A	B	C	D	E	F	G	H	I	J
Examination of Product	1	1,7	1,8	1,5	1	1,7	1,10	1,8	1,3	1,3
Low level contact resistance		2,6	2,5,7	2,4			2,5,7,9	2,5,7		
Mating/Unmating Force		3,5								
Dielectric withstanding voltage						2,5				
Insulation Resistance						3,6				
Temperature rise	2									
Durability		4								
Durability (Preconditioning)			3				3	3		
Vibration			6							
Mechanical Shock				3						
Solder Peg Retention Force					2					
Contact Retention Force					3					
Humidity Temperature Cycling						4	6			
Thermal Shock							4			
Temperature Life								4		
Temperature Life (Preconditioning)			4							
Reseating							8	6		
Reflow Soldering Heat Resistance									2	
Solderability										2

TEST RESULT:

Group-A

A-1 Examination of Product

Spec: Must comply with product drawing.

Result: Abnormality isn't admitted by a sample.

Judgment: Acceptable

Temperature Rise

Spec: 30°C Max change allowed at rated current.

Result:

SAMPLE	Initial	Final	Δ°C
125A-78C00	24.2°C	26.2°C	2°C
125B-78C00	24.2°C	27.7°C	3.5°C

Judgment: Acceptable

Group-B

B-1 Examination of Product

Spec: Must comply with product drawing.
 Result: Abnormality isn't admitted by a sample.
 Judgment: Acceptable

B-2 Low Level Contact Resistance

Spec: 40mΩ max.
 Result:
 MXM CONNECTOR(125A-78C00) 230P

Condition	n	min	max	ave	sig
Initial	10	27.1	29.6	28.31	0.856

Judgment: Acceptable
 MXM3 CONNECTOR (125B-78C00) 314P

Condition	n	min	max	ave	Sig
Initial	10	27.2	28.6	27.62	0.402

Judgment: Acceptable

B-3 Mating/Unmating Force

MXM CONNECTOR(125A-78C00) 230P
 Spec: Mating Force : 13N max.
 Unmating Force: 16N max.

Result:

Condition	cycle	min	max	ave	sig
mating	#1 to #5	9.4864	9.9176	9.6824	0.1780
unmating	#1 to #5	3.9886	4.3414	4.1297	0.1501

Judgment: Acceptable
 MXM3 CONNECTOR(125B-78C00) 314P
 Spec: Mating Force : 25N max.
 Unmating Force: 28N max.

Result:

Condition	cycle	min	max	ave	sig
mating	#1 to #5	20.972	21.952	21.3444	0.3978
unmating	#1 to #5	8.82	9.4668	9.0787	0.2605

Judgment: Acceptable

B-4 Durability

Spec: No evidence of physical damage.
 Result: No damage.

Judgment: Acceptable

B-5 Mating/Unmating Force

MXM CONNECTOR(125A-78C00) 230P

Spec: Mating Force : 13N max.

Unmating Force: 16N max.

Result:

Condition	cycle	min	max	ave	sig
mating	#26 to #30	8.9768	8.9964	8.9885	0.0107
unmating	#26 to #30	3.7534	3.773	3.7651	0.0107

Judgment: Acceptable

MXM3 CONNECTOR(125B-78C00) 314P

Spec: Mating Force : 25N max.

Unmating Force: 28N max.

Result:

Condition	cycle	min	max	ave	sig
mating	#26 to #30	20.4232	20.482	20.4467	0.0214
unmating	#26 to #30	8.5064	8.526	8.5103	0.0087

Judgment: Acceptable

B-6 Low Level Contact Resistance

Spec: 50mΩ max.

Result:

MXM CONNECTOR(125A-78C00) 230P

Condition	n	min	max	ave	sig
Final	10	33.0	36.6	34.8	1.292

Judgment: Acceptable

MXM3 CONNECTOR(125B-78C00) 314P

Condition	n	min	max	ave	sig
Final	10	34.0	36.5	35.47	0.759

Judgment: Acceptable

B-7 Examination of Product

Spec: Must comply with product drawing.

Result: Abnormality isn't admitted by a sample.

Judgment: Acceptable

Group-C

C-1 Examination of Product

Spec: Must comply with product drawing.
 Rest: Abnormality isn't admitted by a sample.
 Judgment: Acceptable

C-2 Low Level Contact Resistance

Spec: 40 mΩ max.
 Result:
 MXM CONNECTOR(125A-78C00) 230P

Condition	n	min	max	ave	sig
Initial	10	21.8	23.0	22.37	0.380

Judgment: Acceptable
 MXM3 CONNECTOR(125B-78C00) 314P

Condition	n	min	max	ave	sig
Initial	10	21.6	22.8	22.25	0.338

Judgment: Acceptable

C-3 Durability(Preconditioning)

Spec: No evidence of physical damage.
 Result: No damage.
 Judgment: Acceptable

C-4 Temperature Life (Preconditioning)

Spec: No evidence of physical damage.
 Result: No damage.
 Judgment: Acceptable

C-5 Low Level Contact Resistance

Spec: 50mΩ max.
 Result:
 MXM CONNECTOR(125A-78C00) 230P

Condition	n	min	max	ave	sig
Final	10	22.6	2.48	23.89	0.579

Judgment: Acceptable
 MXM3 CONNECTOR(125B-78C00) 314P

Condition	n	min	max	ave	sig
Final	10	23.1	26.3	24.52	0.993

Judgment: Acceptable

C-6 Vibration

Spec: No evidence of physical damage.

No electrical discontinuity greater than 1μsec shall occur .

Result: No damage. Electrical discontinuity greater than 1 μ second did not occurred.

Judgment: Acceptable

C-7 Low Level Contact Resistance

Spec: 50mΩ max.

Result:

MXM CONNECTOR(125A-78C00) 230P

Condition	n	min	max	ave	sig
Final	10	25.3	27.6	26.57	0.750

Judgment: Acceptable

MXM3 CONNECTOR(125B-78C00) 314P

Condition	n	min	max	ave	sig
Final	10	23.5	26.5	25.11	1.062

Judgment: Acceptable

C-8 Examination of Product

Spec: Must comply with product drawing.

Rest: Abnormality isn't admitted by a sample.

Judgment: Acceptable

Group-D

D-1 Examination of Product

Spec: Must comply with product drawing.

Rest: Abnormality isn't admitted by a sample.

Judgment: Acceptable

D-2 Low Level Contact Resistance

Spec: 40mΩ max.

Result:

MXM CONNECTOR(125A-78C00) 230P

Condition	n	min	max	ave	sig
Initial	10	21.4	23.4	22.29	0.541

Judgment: Acceptable

MXM3 CONNECTOR(125B-78C00) 314P

Condition	n	min	max	ave	sig
Initial	10	21.6	23.4	22.42	0.562

Judgment: Acceptable

D-3 Mechanical Shock

Spec: No evidence of physical damage.

No electrical discontinuity greater than 1μsec shall occur .

Result: No damage.

Electrical discontinuity greater than 1 μ second did not occurred.

Judgment: Acceptable

D-4 Low Level Contact Resistance

Spec: 50mΩ max.

Result:

MXM CONNECTOR(125A-78C00) 230P

Condition	n	min	max	ave	sig
Final	10	21.3	24.3	22.36	0.869

Judgment: Acceptable

MXM3 CONNECTOR(125B-78C00) 314P

Condition	n	min	max	ave	sig
Final	10	21.90	23.50	22.63	0.463

Judgment: Acceptable

D-5 Examination of Product

Spec: Must comply with product drawing.

Rest: Abnormality isn't admitted by a sample.

Judgment: Acceptable

Group-E

E-1 Examination of Product

Spec: Must comply with product drawing.

Rest: Abnormality isn't admitted by a sample.

Judgment: Acceptable

E-2 Solder Peg Retention Force

Spec: 5N /pos Min.

Result:

MXM CONNECTOR(125A-78C00) 230P

n	min	max	ave	sig
10	40.47	41.45	40.93	0.356

Judgment: Acceptable
 MXM3 CONNECTOR(125B-78C00) 314P

n	min	max	ave	sig
10	40.38	41.06	40.62	0.187

Judgment: Acceptable

E-3 Contact Retention Force

Spec: 1N /pos Min.

Result:

MXM CONNECTOR(125A-78C00) 230P

	n	min	max	ave	sig
Upper contact	10	5.98	7.06	6.36	0.346
Lower contact	10	1.47	2.16	1.76	0.232

Judgment: Acceptable
 MXM3 CONNECTOR(125B-78C00) 314P

	n	min	max	ave	sig
Upper contact	10	5.39	7.06	6.08	0.455
Lower contact	10	1.86	2.45	2.17	0.172

Judgment: Acceptable

Group-F

F-1 Examination of Product

Spec: Must comply with product drawing.

Rest: Abnormality isn't admitted by a sample.

Judgment: Acceptable

F-2 Dielectric withstanding voltage

Spec: No evidence of flash over or insulation shall take place. No evidence of physical damage.

Result: Dielectric strength of all tested samples proved acceptable.

And, detrimental damage affecting to the performance did not occur.

Judgment: Acceptable

F-3 Insulation Resistance

Spec: 250MΩ min.

Result: Insulation resistance of the tested sample proved acceptable more than measuring limit (9999MΩ).

And, detrimental damage affecting to the performance did not occur.

Judgment: Acceptable

F-4 Cycling Temperature & Humidity

Spec: No evidence of physical damage.

Result: I Detrimental damage affecting to the performance did not occur.

Judgment: Acceptable

F-5 Dielectric withstanding voltage

Spec: No evidence of flash over or insulation shall take place. No evidence of physical damage.

Result: Dielectric strength of all tested samples proved acceptable.

And, detrimental damage affecting to the performance did not occur.

Judgment: Acceptable

F-6 Insulation Resistance

Spec: 50MΩ min.

Result: Insulation resistance of the tested sample proved acceptable more than measuring limit (9999MΩ).

And, detrimental damage affecting to the performance did not occur.

Judgment: Acceptable

F-7 Examination of Product

Spec: Must comply with product drawing.

Result: Abnormality isn't admitted by a sample.

Judgment: Acceptable

Group-G

G-1 Examination of Product

Spec: Must comply with product drawing.

Rest: Abnormality isn't admitted by a sample.

Judgment: Acceptable

G-2 Low Level Contact Resistance

Spec: 40mΩ max.

Result:

MXM CONNECTOR(125A-78C00) 230P

Condition	n	min	max	ave	sig
Initial	10	23.4	26.3	24.74	0.977

Judgment: Acceptable

MXM3 CONNECTOR(125B-78C00) 314P

Condition	n	min	max	ave	sig
Initial	10	23.4	26.3	24.61	0.964

Judgment: Acceptable

G-3 Durability(Preconditioning)

Spec: No evidence of physical damage.

Result: No damage.

Judgment: Acceptable

G-4 Thermal Shock

Spec: No evidence of physical damage.

Result: No damage.

Judgment: Acceptable

G-5 Low level contact resistance

Spec: 50mΩ max.

Result:

MXM CONNECTOR(125A-78C00) 230P

Condition	n	min	max	ave	sig
Final	10	26.2	27.8	27.06	0.474

Judgment: Acceptable

MXM3 CONNECTOR(125B-78C00) 314P

Condition	n	min	max	ave	sig
Final	10	26.3	27.8	27.10	0.410

Judgment: Acceptable

G-6 Humidity Temperature Cycling

Spec: No evidence of physical damage.

Result: No damage.

Judgment: Acceptable

G-7 Low Level Contact Resistance

Spec: 50mΩ max.

Result:

MXM CONNECTOR(125A-78C00) 230P

Condition	n	min	max	ave	sig
Final	10	27.5	29.2	28.37	0.525

Judgment: Acceptable
 MXM3 CONNECTOR(125B-78C00) 314P

Condition	n	min	max	ave	sig
Final	10	27.6	29.5	28.52	0.540

Judgment: Acceptable

G-8 Reseating

Spec: No evidence of physical damage.

Result: No damage.

Judgment: Acceptable

G-9 Low Level Contact Resistance

Spec: 50mΩ max.

Result:

MXM CONNECTOR(125A-78C00) 230P

Condition	n	min	max	ave	sig
Final	10	28.4	29.9	29.28	0.440

Judgment: Acceptable
 MXM3 CONNECTOR(125B-78C00) 314P

Condition	n	min	max	ave	sig
Final	10	28.3	29.8	29.05	0.450

Judgment: Acceptable

G-10 Examination of Product

Spec: Must comply with product drawing.

Rest: Abnormality isn't admitted by a sample.

Judgment: Acceptable

Group-H

H-1 Examination of Product

Spec: Must comply with product drawing.

Rest: Abnormality isn't admitted by a sample.

Judgment: Acceptable

H-2 Low Level Contact Resistance

Spec: 40mΩ max.

Result:

MXM CONNECTOR(125A-78C00) 230P

Condition	n	min	max	ave	sig
Initial	10	21.8	23.0	22.37	0.380

Judgment: Acceptable

MXM3 CONNECTOR(125B-78C00) 314P

Condition	n	min	max	ave	sig
Initial	10	21.6	22.8	22.25	0.338

Judgment: Acceptable

H-3 Durability(Preconditioning)

Spec: No evidence of physical damage.

Result: No damage.

Judgment: Acceptable

H-4 Temperature Life

Spec: No evidence of physical damage.

Result: No damage.

Judgment: Acceptable

H-5 Low Level Contact Resistance

Spec: 50mΩ max.

Result:

MXM CONNECTOR(125A-78C00) 230P

Condition	n	min	max	ave	sig
Final	10	33.0	36.6	34.8	1.292

Judgment: Acceptable

MXM3 CONNECTOR(125B-78C00) 314P

Condition	n	min	max	ave	sig
Final	10	34.0	36.5	35.47	0.759

Judgment: Acceptable

H-6 Reseating

Spec: No evidence of physical damage.

Result: No damage.

Judgment: Acceptable

H-7 Low Level Contact Resistance

Spec: 50mΩ max.

Result:

MXM CONNECTOR(125A-78C00) 230P

Condition	n	min	max	ave	sig
Final	10	38.2	44.9	40.53	2.129

Judgment: Acceptable

MXM3 CONNECTOR(125B-78C00) 314P

Condition	n	min	max	ave	sig
Final	10	39.5	44.5	41.68	1.342

Judgment: Acceptable

H-8 Examination of Product

Spec: Must comply with product drawing.

Rest: Abnormality isn't admitted by a sample.

Judgment: Acceptable

Group-I

I-1 Examination of Product

Spec: Must comply with product drawing.

Result: Abnormality isn't admitted by a sample.

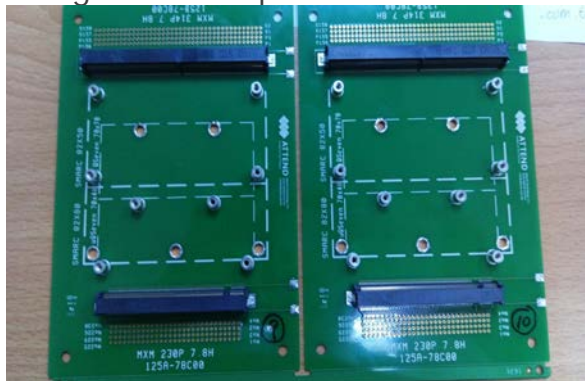
Judgment: Acceptable

I-2 Reflow Soldering Heat Resistance

Spec: No evidence of physical damage.

Result: All tested samples should no evidence of defects such as deformation etc. that are detrimental to connector function. Soldering was good for all test samples.

Judgment: Acceptable



I-3 Examination of Product

Spec: Must comply with product drawing.
 Result: Abnormality isn't admitted by a sample.
 Judgment: Acceptable

Group-J

J-1 Examination of Product

Spec: Must comply with product drawing.
 Result: Abnormality isn't admitted by a sample.
 Judgment: Acceptable

J-2 Solderability

Spec: Solder coverage 95% MIN.
 Result: All tested samples proved acceptable after testing, with more than 95% of the tested area covered with fresh, wet solder in glossy, bright appearance.
 Judgment: Acceptable

焊錫實驗	
1. 實驗範圍/目的	模擬客戶處對有需求(有焊腳, 主要為鍍錫和鍍金)產品, 進行焊錫實驗
2. 實驗數量	每批試做5PCS(視產品規格, 如8PIN或12PIN為每1PCS時, 需整PCS同時進行)
3. 試驗方法	使用焊錫爐進行焊錫實驗, 溫度: 240-250度, 時間: 3-5S, 焊錫時需輕度擺動, 不使用助焊劑。
4. 檢驗判定	實驗後表面吃錫需達90%以上
5. 最終判定	<input checked="" type="checkbox"/> 實驗OK <input type="checkbox"/> 實驗NG 不良描述:
	<input type="checkbox"/> 其它 _____ (附實驗樣品)



J-3 Examination of Product

Spec: Must comply with product drawing.
 Result: Abnormality isn't admitted by a sample.
 Judgment: Acceptable