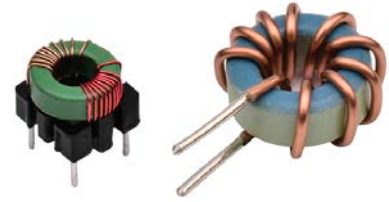


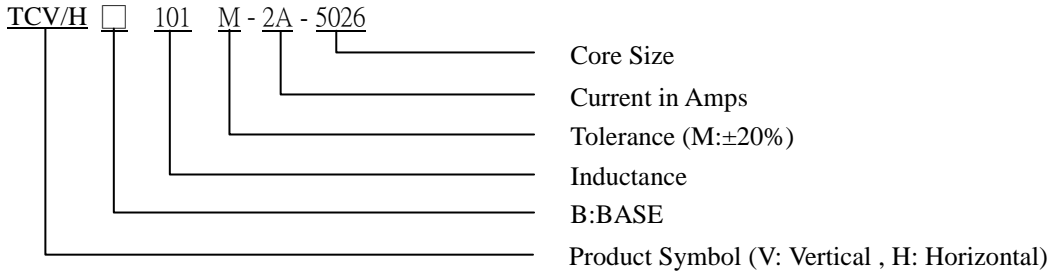
WOUND TOROIDS COILS / TC TYPE

APPLICATIONS

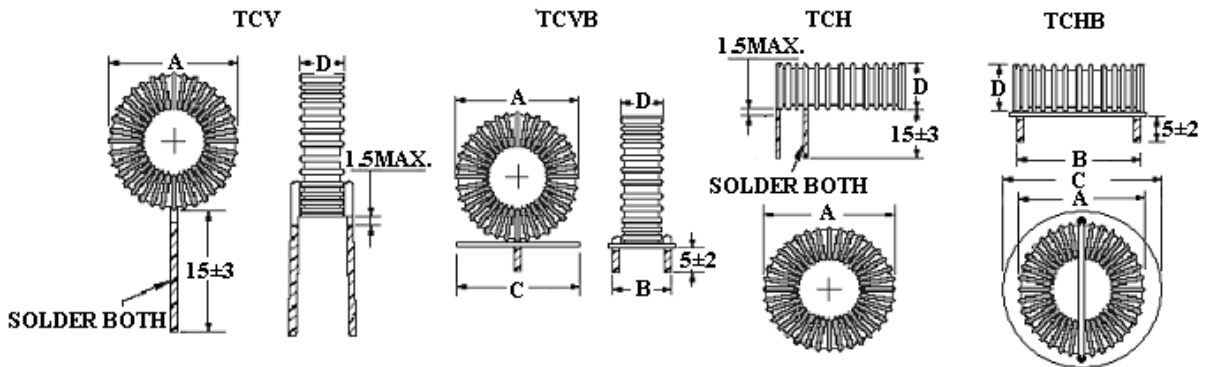
- ◆ Other filters
- ◆ Power supplies
- ◆ Out put chokes
- ◆ EMI/RFI chokes
- ◆ Switching Circuits
- ◆ SCR and Triac Controls



ORDERING CODE



SHAPES



DIMENSIONS (UNIT: mm)

Part No.	A (Max)	B (Max)	C (Max)	D (Max)
TCV	7.5 ~ 42.5			5.5 ~ 21.5
TCVB	12.0 ~ 39.0	10 ~ 20	11 ~ 30	7.0 ~ 18.5
TCH	7.5 ~ 42.5			5.5 ~ 21.5
TCHB	12.0 ~ 39.0	9 ~ 36	13 ~ 42	7.0 ~ 18.5

*DESIGN AS CUSTOMER'S REQUESTED SPECIFICATIONS



CORE MASTER ENTERPRISE CO., LTD.

<http://www.coremaster.com.tw>