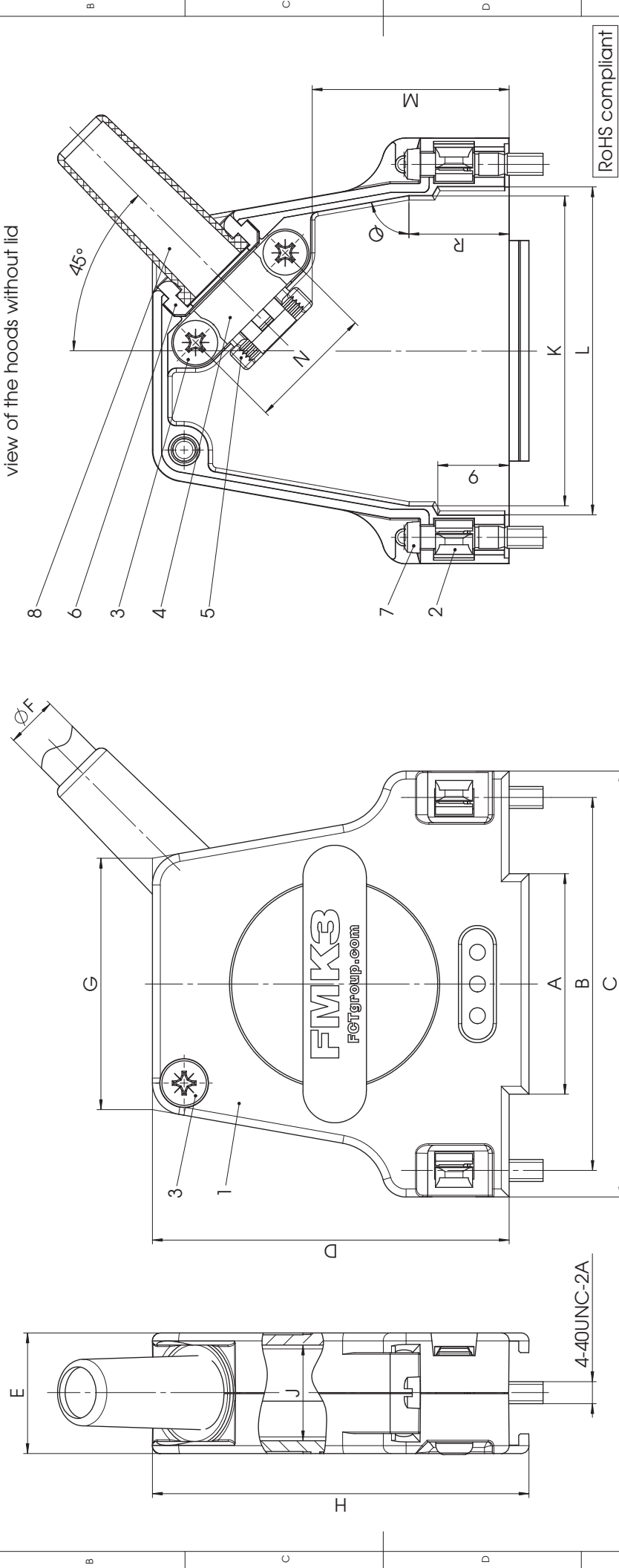


Order-No.	Shell Size / for No. of Contacts	A	B	C	D	E	ØF1 min - max	max I	ØF2 Rubber bushing	G	H	J	K	L	M	N	Q	R
FMK1	1 / 9	14.9 ±0.3	25	31.6 ±0.3	39.5 ±0.3	15.2 ±0.3	3 - 9.5	6.5	FKT1-2	20.8 ±0.3	42 ±0.3	12.1 ±0.3	17 ±0.3	19.4 ±0.3	23 ±0.3	12 ±0.3	-	-
FMK2	2 / 15	15.9 ±0.3	33.3	40 ±0.3	41 ±0.3	15.2 ±0.3	3 - 8.5	6.5	FKT1-2	23.3 ±0.3	43.5 ±0.3	12.1 ±0.3	25.8 ±0.3	27.9 ±0.3	21 ±0.3	16 ±0.3	84°	-
FMK3	3 / 25	27.8 ±0.3	47	53.7 ±0.3	45 ±0.3	15.2 ±0.3	3 - 8.5	8	FKT1-2A	31.7 ±0.3	47.5 ±0.3	12.1 ±0.3	39 ±0.3	41.4 ±0.3	25 ±0.3	16 ±0.3	80°	12.9
FMK4	4 / 37	44.3 ±0.3	63.5	70.2 ±0.3	48 ±0.3	18.2 ±0.3	3 - 12	9	FKT3-4	48.2 ±0.3	50.5 ±0.3	15.1 ±0.3	55.5 ±0.3	57.8 ±0.3	23.2 ±0.3	21 ±0.3	80°	16.1
FMK5	5 / 50	41.9 ±0.3	61.1	67.8 ±0.3	48 ±0.3	18.2 ±0.3	3 - 12	9.7	FKT3-4A	45.8 ±0.3	50.5 ±0.3	15.1 ±0.3	53.1 ±0.3	55.5 ±0.3	23.2 ±0.3	21 ±0.3	80°	16.1



No.	St.	Part	Type	Description / Material
8	1	Rubber bushing	TPE	black
7	2	Locking screw	FVSI/5-K1163 4-40 / Steel	nickel plated
6	0/2	Cable reduction plate	Zinc die-cast	nickel plated over copper
5	1	Strain relief	ABS	nickel plated over copper
4	1	Cable clamp	Steel	tin plated over nickel
3	3/4	Screw	Case hardened steel	zinc plated over copper
2	2	Catch spring	PEI	black
1	1	Hood	FMK1-5 / Zinc die-cast	nickel plated over copper

Measurement without tolerance acc. to ISO 2768-m		SCALE	TITLE
NAME / DATE	ANKE MEYER-RICHTER	2.1	Metal Hood
DRAWN	10.09.2008		
CHECKED	K Burkhardt		
	10.09.2008		

REV.	DATE	CH.-NO.	REPLACEMENT FOR:	DWG. NO.	REV.	PAGES
1	10-09-2008	22060	ORIGINAL: DN A3-DRAWING AS A FILE	FMK1-5	1	1

COMMENT: ALL RIGHTS ARE RESERVED BY US FOR THIS DRAWING. WITHOUT OUR PRIOR CONSENT, IT MAY NEITHER BE REPRODUCED NOR MADE AVAILABLE TO A THIRD PARTY. AND IT ALSO MAY NOT BE IMPROPERLY USED BY THE RECEIVER, OR A THIRD PARTY.

① max. torque are 40 Ncm
 Part-No. 8 not mounted
 FMK1 without Part-No. 6
 FMK1-3 with 3 screws (Part-No. 3)
 FMK4-5 with 4 screws (Part-No. 3)