

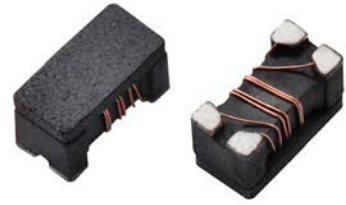
SMD COMMON MODE CHOKE / WCB TYPE

FEATURES

Miniature SMD type common mode filter for fully automated assembly.

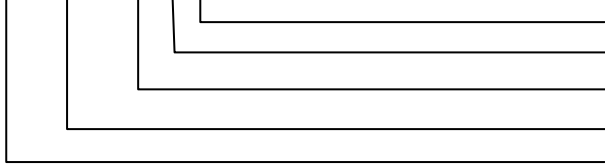
Wide impedance range (90Ω~2200Ω) for noise suppression.

Excellent Solderability.



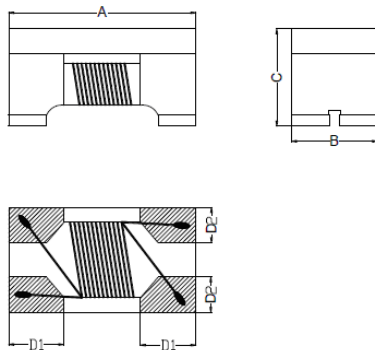
ORDERING CODE

WCB 2012 - 900 Y-N



Note: lead-free
Tolerance (Y:±25%)
Impedance
Dimension (Ax B)
SMD Common Mode

DIMENSIONS (UNIT: mm)



A	2.00 ± 0.2	m/m
B	1.20 ± 0.2	m/m
C	1.20 ± 0.2	m/m
D1	0.55 (Ref)	m/m
D2	0.46 (Ref)	m/m

ELECTRICAL CHARACTERISTICS WCB2012

Part No.	Impedance (Ω)100MHz	DC Resistance (Ω) Max	Rated Current (mA)Max
WCB 2012-900Y-N	90	0.30	400
WCB 2012-121Y-N	120	0.15	400
WCB 2012-161Y-N	160	0.35	350
WCB 2012-221Y-N	220	0.40	300



CORE MASTER ENTERPRISE CO., LTD.

<http://www.coremaster.com.tw>