

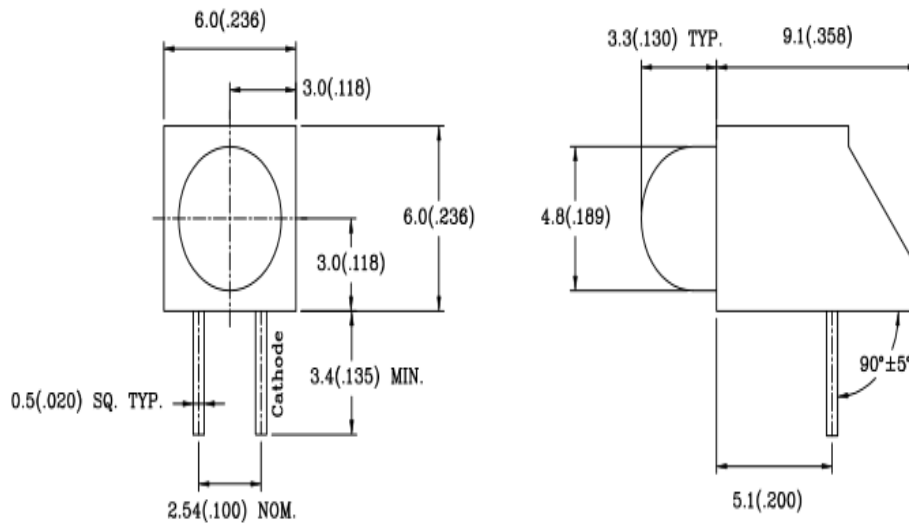
KLS ELECTRONIC CO., LTD

PART NO: L-KLS8-5H-R

Page: 1 of

Description: 5mm Round

Package Dimensions



Lens	Material	Emitting Coior
Tinted Diffused Type	InGaN	Red

NOTES

- 1.All dimensions are in millimeters .
- 2.Tolerance is ± 0.25mm unless otherwise noted.
- 3.Protruded resin under flange is 1.0mm max.
- 4.Lead spacing is measured where the leads emerge from the package.
- 5.Specifications are subject to change without notice.

KLS ELECTRONIC CO., LTD

PART NO: L-KLS8-5H-R

Page: 2 of

Absolute Maximum Ratings at TA=25°C

Parameter	Maximum Rating	Unit
Power Dissipation	80	mW
Peak Forward Current (1/10Duty Cycle, 0.1ms Pulse Width)	60	mA
DC Forward Current	30	mA
Reverse Voltage	5	V
Operating Temperature Range	-20°C to+80°C	
Storage Temperature Range	-40°C to+100°C	
Lead Soldering Temperature [1.6mm(.063")From Body]	260°C for 5 seconds	

Electrical Optical Characteristics at TA=25°C

Parameter	Symbol	Min	Typ.	Max.	Unit	Test Condition
Luminous Intensity	I _v	80		150	mcd	IF=20mA
Viewing Angle	2 θ 1/2		25		deg	
Peak Emission Wavelength	λ _p	625		635	nm	IF=20mA
Chromaticity Coordinate	X/Y				nm	IF=20mA
Spectral Line Half-Width	Δ λ				nm	IF=20mA
Forward Voltage	VF	1.8	2.0	2.2	V	IF=20mA
Reverse Current	IR			40	μ A	VR=5v

- Note:**
- 1.Luminous intensity is measured with a light sensor and filter combination that approximates CIE (Commission International Dd L Eclairage)eye-response curve.
 2. θ 1/2 is the off-axis angle at which the luminous intensity is half the axial luminous intensity.
 3. The chromaticity coordinate,x/y is derived from the CIE chromaticity diagram and represents the single wavelength which defines the color of the device.
 - 4.The I_v guarantee should be added ± 15%.