

This product is completed the lead-free and RoHS.



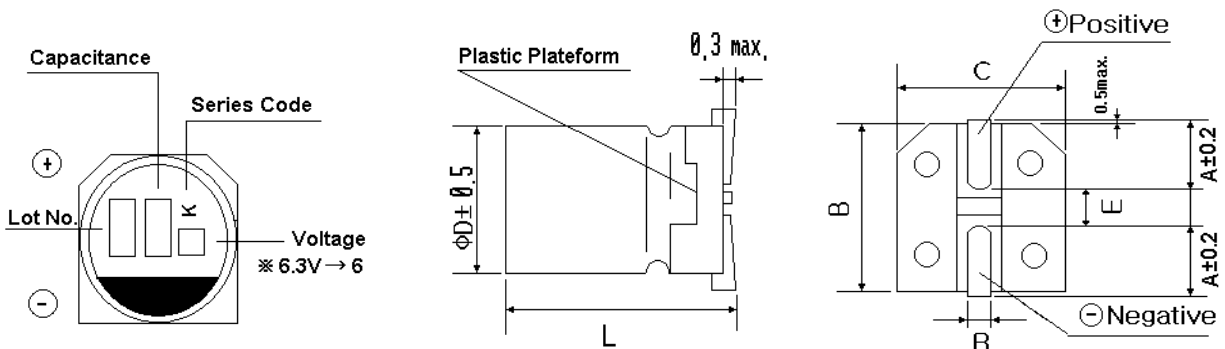
DATA SHEET



SAMWHA ELECTRIC CO., LTD.

Aluminum Electrolytic Capacitors

Date : 2017. 04. 14.
 Ident-No : SC-ARE1079
 Part No : CK 1V 476 M 6L006 VR



ΦD	$L \pm 0.3$	$B \pm 0.2$	$C \pm 0.2$	$E \pm 0.2$	$A \pm 0.2$	R
6.3	5.8	6.6	6.6	2.2	2.4	0.5~0.8

Dimensions of ΦD & L

Capacitance at 120Hz, 20°C	47 μF
Tolerance at 120Hz, 20°C	-20% ~ +20%
Rated Voltage	35 V
Surge Voltage	44 V
Ripple current at 100kHz, 105°C	230 mA rms
Impedance at 100kHz, 20°C	0.44 Ω
Leakage current after 2 minute	16.5 μA
Dissipation factor (tan δ) at 120Hz, 20°C	0.12
E.S.R at 120Hz, 20°C	3.39 Ω
Temperature range	-55 ~ +105°C
Load life at 105°C	2000 hours
Shelf life at 105°C	1000 hours

Approved

K. C. Eom *k. c. Eom*

Technical team manager