

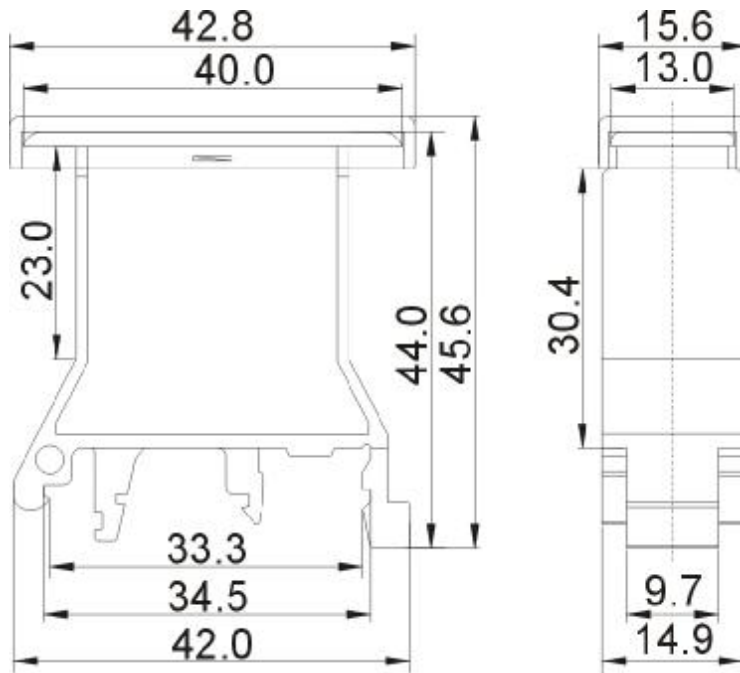


DEGSON ELECTRONICS CO., LTD.

Product Specification



DBE-1



Approval	
Electrical	
Insulating material/Inflammability class	PA/V-0
Remark	DBE-1 → NS35/75, NS35/15, NS-32

HOW TO ORDER :

 - **P** - 1 - X X X
Customer Request

Series No. **No. of pole** **Color**

1	Gray	4	Green	7	Transp-arent
2	Blue	5	Orange	8	Yellow
3	Black	6	Red	9	white

 mm (INCH)	 DEGSON ELECTRONICS CO., LTD.
 THROANGLE PROJECTION	NAME DBE-1