

This product is completed the lead-free and RoHS.



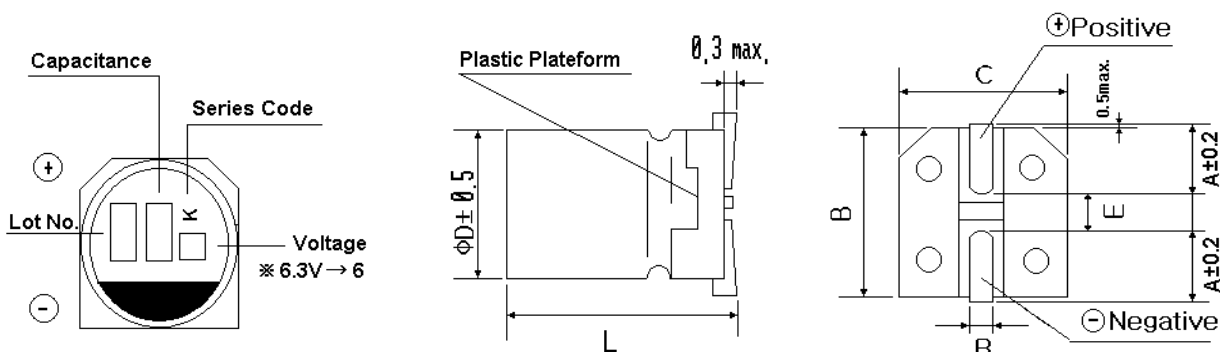
# DATA SHEET



**SAMWHA ELECTRIC CO., LTD.**

## Aluminum Electrolytic Capacitors

Date : 2017. 04. 14.  
 Ident-No : SC-ARD3950  
 Part No : CK 1A 476 M 6L006 VR



$\Phi D$	$L \pm 0.3$	$B \pm 0.2$	$C \pm 0.2$	$E \pm 0.2$	$A \pm 0.2$	R
6.3	5.8	6.6	6.6	2.2	2.4	0.5~0.8

Dimensions of  $\Phi D$  & L

Capacitance at 120Hz, 20 °C	47 $\mu F$
Tolerance at 120Hz, 20 °C	-20% ~ +20%
Rated Voltage	10 V
Surge Voltage	13 V
Ripple current at 100kHz, 105 °C	230 mA rms
Impedance at 100kHz, 20 °C	0.44 $\Omega$
Leakage current after 2 minute	4.7 $\mu A$
Dissipation factor (tan $\delta$ ) at 120Hz, 20 °C	0.19
E.S.R at 120Hz, 20 °C	5.36 $\Omega$
Temperature range	-55 ~ +105 °C
Load life at 105 °C	2000 hours
Shelf life at 105 °C	1000 hours

Approved

G. H. Um

Technical team manager