

SANCO ELECTRONICS CO., LTD.

Rm724, No.22 Lane38, Furong Road, Shangdu Mansion ,Hi-tech park, Ningbo China
TEL:+86-574-83851068 FAX:+86-574-83851096

PIEZO-CERAMIC ELECTROACOUSTIC TRANSDUCER

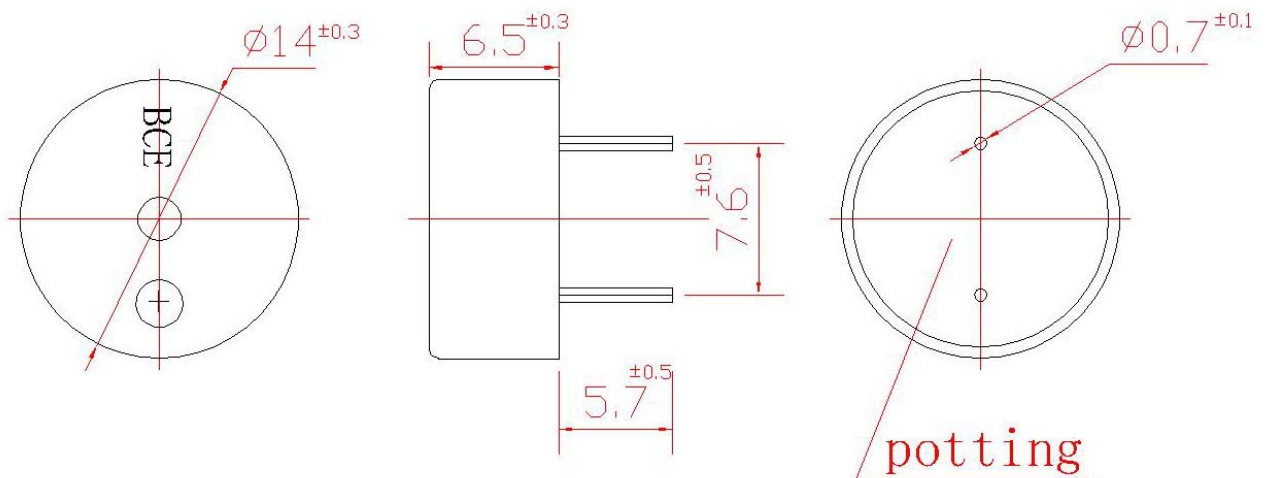
TYPE

EPT-14A4009P050D

SPECIFICATIONS

Sound Pressure Level	85 dB Min. at 4.0kHz / 10cm 9.0V _{p-p} Square Wave
Capacitance	14 nF ±30% at 120Hz
Resonant Frequency	4.0±0.5KHz
Max. Current Consumption	3Ma at 4.0KHz/9.0V _{p-p} Square Wave
Input Voltage	30 V _{p-p} Max.
Operation Temperature	-20°C ~ +85°C
Storage Temperature	-30°C ~ +90°C
Terminal	Pins
Housing Material	PBT
Dimensions (mm)	See the Drawing

APPEARANCE



拟制 Design	审核 Checked	标准化 Standardization	批准 Approved