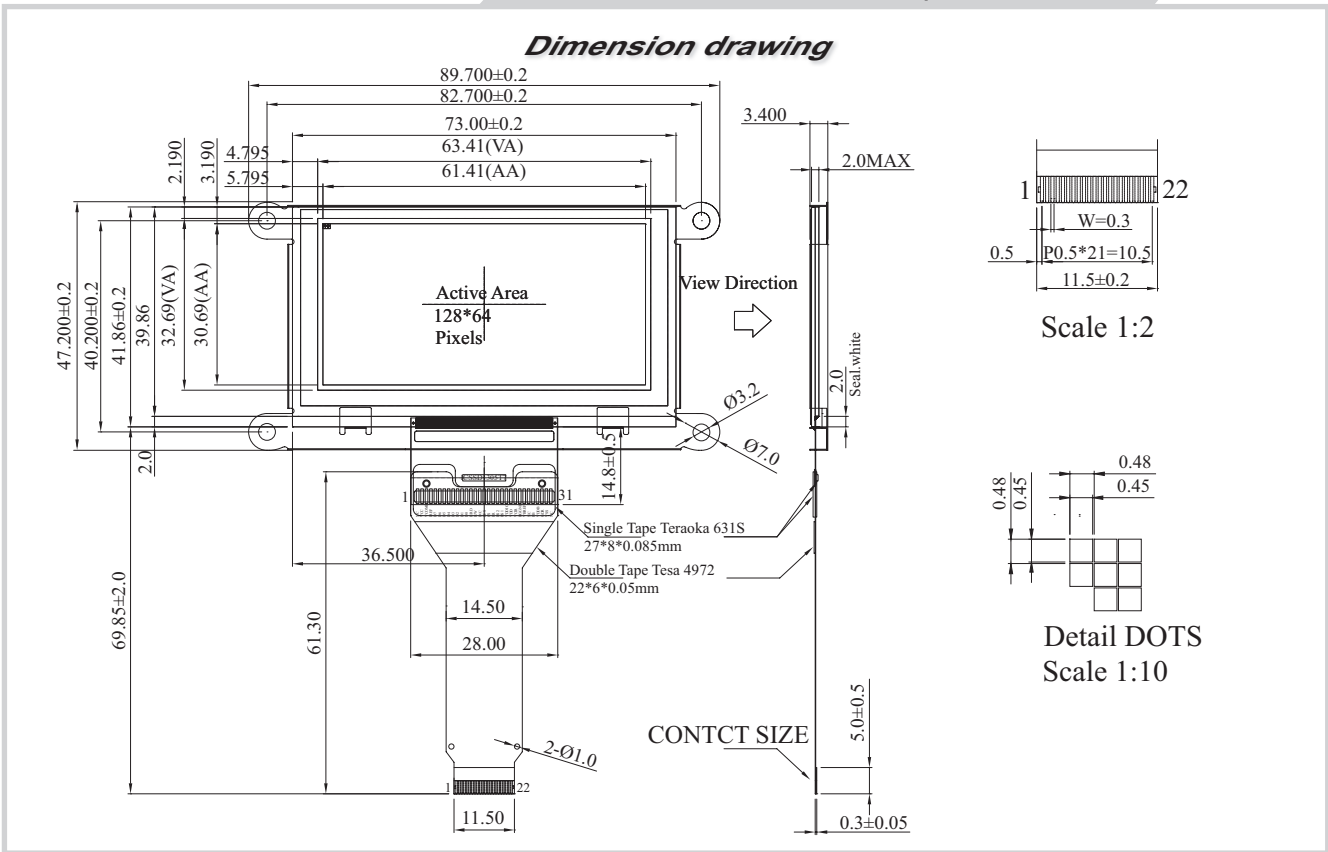




# WEX012864C OLED Graphic 128x64 dots

## Dimension drawing



### Feature

- 128 x 64 dots
- Built-in Controller SSD1305T7R1
- +3V power supply
- 1/64 duty cycle
- Interface: 6800, 8080, SPI, I2C
- Polarizer optional

Pin	NO.	Symbol	Description													
1		VCC	Power supply for analog circuit.													
2		VCOMH	Com Voltage Output. A capacitor should be connected between this pin and VSS.													
3		IREF	Reference current input pin. A resistor should be connected between this pin and VSS.													
4~11		D7~D0	Data bus.													
12		E/RD#	Data read operation is initiated when it's pull low.													
13		R/W#	Data write operation is initiated when it's pull low.													
14		D/C#	Data/ Command control. Pull high for write/read display data. Pull low for write command or read status.													
15		RES#	Reset signal input. When it's low, initialization of SSD1305 is executed.													
16		CS#	Chip select input.													
17		BS2	Communicating Protocol Select. These pins are MCU interface selection input. See the following table:													
18	BS1	<table border="1"> <thead> <tr> <th></th> <th>68XX-parallel</th> <th>80XX-parallel</th> <th>Serial</th> </tr> </thead> <tbody> <tr> <td>BS1</td> <td>0</td> <td>1</td> <td>0</td> </tr> <tr> <td>BS2</td> <td>1</td> <td>1</td> <td>0</td> </tr> </tbody> </table>				68XX-parallel	80XX-parallel	Serial	BS1	0	1	0	BS2	1	1	0
			68XX-parallel	80XX-parallel	Serial											
		BS1	0	1	0											
BS2	1	1	0													
19	VDD	Power supply for logic circuit.														
20	NC	No connection.														
21	VSS	Ground.														
22	VSS	Ground.														

### Mechanical Date

Item	Dimension	Unit
Module dimension	89.7 × 47.2 × 3.4	mm
View Area	63.41 × 32.69	mm
Active area	61.41 × 30.69	mm
Mounting hole	82.7 × 40.2	mm
Dot Size	0.45 × 0.45	mm
Dot Pitch	0.48 × 0.48	mm

### Absolute Maximum Rating

Parameter	Symbol	Min	Max	Unit	Notes
Supply Voltage for Logic	VDD	-0.3	3.5	V	1, 2
Supply Voltage for Display	VCC	8	16	V	1, 2

### Electronical Characteristics

Characteristics	Symbol	Conditions	Min	Typ	Max	Unit
Supply Voltage for Logic	VDD	—	2.4	2.7	3.5	V
Supply Voltage for Display	VCC	—	14.5	15	15	V
High Level Input	VIH	IOUT= 100µA, 3.3MHz	0.8×VDD	—	VDD	V
Low Level Input	VIL	IOUT= 100µA, 3.3MHz	0	—	0.2×VDD	V
High Level Output	VOH	IOUT= 100µA, 3.3MHz	0.9×VDD	—	VDD	V
Low Level Output	VOL	IOUT= 100µA, 3.3MHz	0	—	0.1×VDD	V
Operating Current for VDD	IDD	Note 4	—	250	400	µA
		Note 5	—	250	400	µA
Operating Current for VCC	ICC	Note 4	—	31	39	mA
		Note 5	—	53	66	mA
Sleep Mode Current for VDD	IDD, SLEEP	—	—	10	µA	
Sleep Mode Current for VCC	ICC, SLEEP	—	—	10	µA	

Note 3: Brightness (Lv) and Supply Voltage for Display (Vcc) are subject to the change of the panel characteristics and the customer's request.

Note 4: VDD = 2.7V, VCC = 15V, 50% Display Area Turn on.

Note 5: VDD = 2.7V, VCC = 15V, 100% Display Area Turn on.

OLED Graphic type