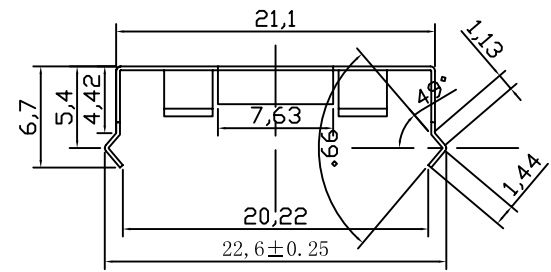
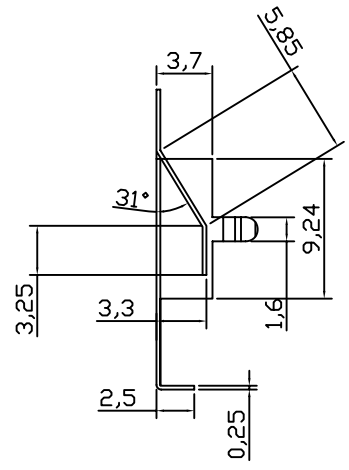
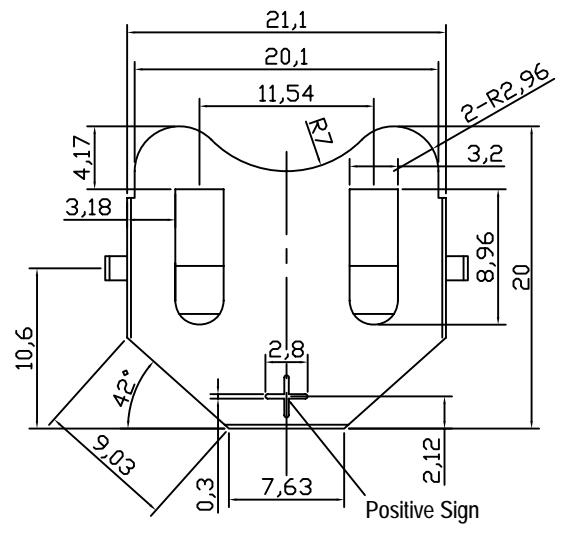


1	2	3	4	5	6	REV. NO	DESCRIPTION	DRAWN	DATE
						A			



1. Undeclared tolerance +/-0.15MM,angle +/-1°
2. Material Thickness: 0.25mm Half hard brass

0.25\*41.8\*23

TOLERANCE UNLESS OTHERWISE STATED		KLS ELECTRONIC CO., LTD			
X.X	±0.1		±0.5	TITLE:	MODEL:
X.XX	±0.05	REV	A	L-KLS5-CR2032-09B	QTY:
DESIGN		DATE: 2009.10.04.17	#	P/N:	UNIT: MM
CHECKED		DATE:		FILE NAME:	SCALEFULL
APPROVED		DATE:		FINISH: Nickel-plating	MATL: 0.25 Brass
A4: DO NOT SCALE DWG				PROJECT:	SHEET1 OF1