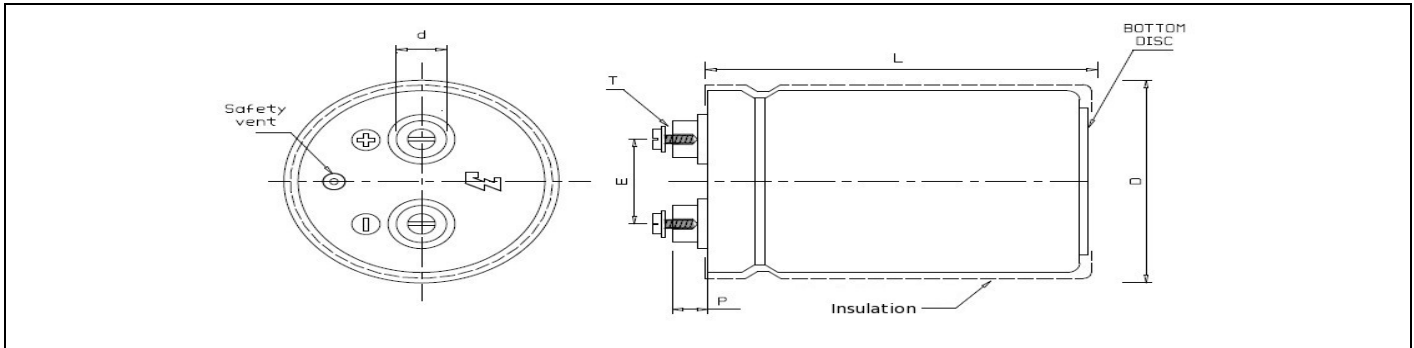


## ALUMINUM ELECTROLYTIC CAPACITORS

PG-6SR - 972 - 3300MFD - 350VDC - 63X105 - AEST( Provisional )

DATE:28-JUN-2016



**NOTE:** ALL DIMENSIONS ARE IN MM

Insulation : PVC  
Bottom Disc : PP

### Dimensions

D (+1.75/-0)	L (±3.0)	E (±0.25)	P(Max)	T	d(±0.1)	Terminal Style
63	105	28.5	7.8	M5X0.8pX10	12	AEST

### Electrical Parameters

Nominal Capacitance at 100 Hz and 25°C	3300 MFD
Capacitance Tolerance	±20%
Rated Voltage DC	350 Vdc
Surge Voltage	385 Vdc
Max ESR (at 100 Hz and 25°C)	0.042 Ohm
Max Leakage Current ( After 5 min of applying rated voltage)	3465 µA at 25°C
Max Ripple Current ( at 100 Hz and 85°C )	10.2 Amp
Max Impedance (at 100 Hz and 25°C)	0.483 Ohm
Temperature Range	-40°C to +85°C

### Multiplying Factor for Ripple Current at other Temperatures

+40°C	+45°C	+50°C	+65°C
2.10	2.00	1.90	1.60

### Ripple Current Capacity at other Frequency

Frequency Hz	100	250	500	1k to 10k	>10K
Multiplying Factor	1.00	1.05	1.20	1.32	1.35

Prepared By		Verified By		Approved By	
-------------	--	-------------	--	-------------	--

