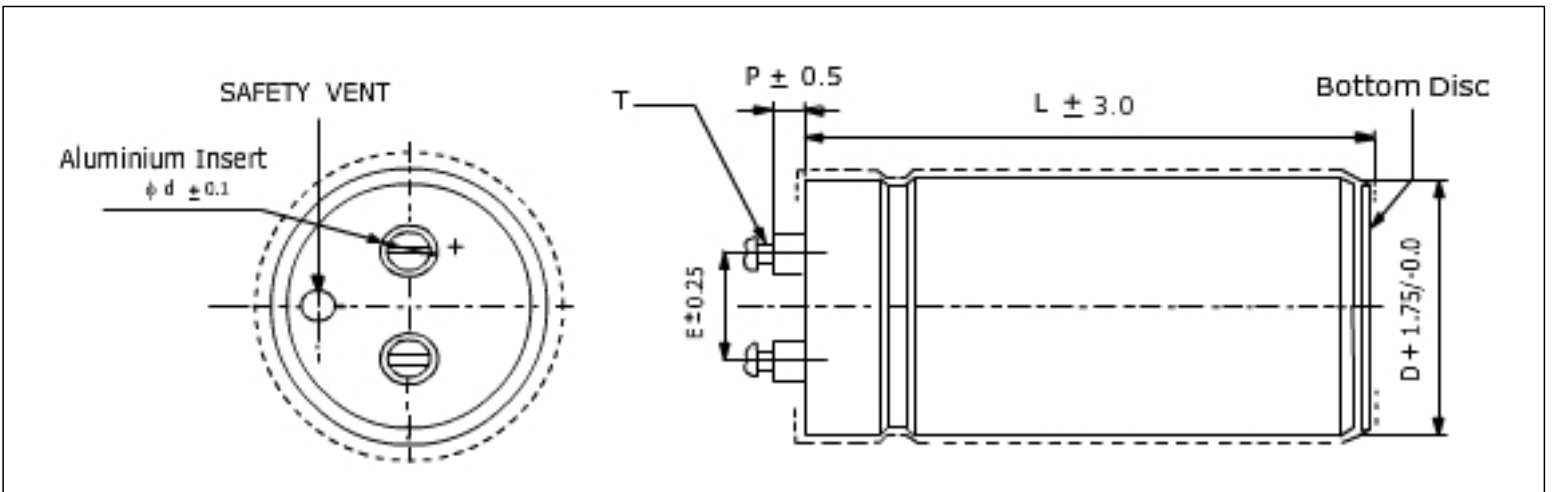


ALUMINUM ELECTROLYTIC CAPACITORS

PG-6SR 789 - 3900MFD - 450VDC - 76X145 - AEST(Provisional)

DATE :05-09-2014



Note: ALL DIMENSIONS ARE IN MM

Dimensions

D	L	E	P	T	d	Terminal Style
76	145	31.6	7.8	M5X0.8pX10	12	AEST

Electrical parameters


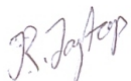

Nominal Capacitance at 100 Hz and 25°C	3900 MFD
Capacitance Tolerance	±20%
Rated Voltage DC	450 Vdc
Surge Voltage	495 Vdc
Max ESR (at 100 Hz and 25°C)	0.051 Ohm
Typical ESR (at 100 Hz and 25°C)	0.034 Ohm
Max Impedance (at 10 kHz and 25°C)	0.041 Ohm
Max Leakage Current (After 5 min of applying rated voltage)	5265 µA at 25°C
Max Ripple Current (at 100 Hz and 85°C)	11.0 Amp
Temperature Range	-40°C to +85°C
Voltage Endurance Test	2000h @85°C and Rated voltage After Test: Change in capacitance : less than or equal to ±10% of Initial value ESR: less than or equal to 1.3 X initial spec value Leakage Current : less than or equal initial spec limit
Useful Life	5000h @85°C, Rated voltage, Rated current After Test Change in capacitance: within ±30% of initial value ESR : less than or equal to 3 times of the initial spec value Leakage Current : less than or equal to initial spec limit

Multiplying Factor for Ripple Current at other Temperatures

+40°C	+45°C	+50°C	+65°C
2.10	2.00	1.90	1.60

Ripple Current Capacity at other Frequency

Frequency Hz	100	250	500	1K to 10K	>10K
Multiplying Factor	1.00	1.05	1.20	1.32	1.35

Prepared By 	Verified By 	Approved By 
---	---	---