

# Switch

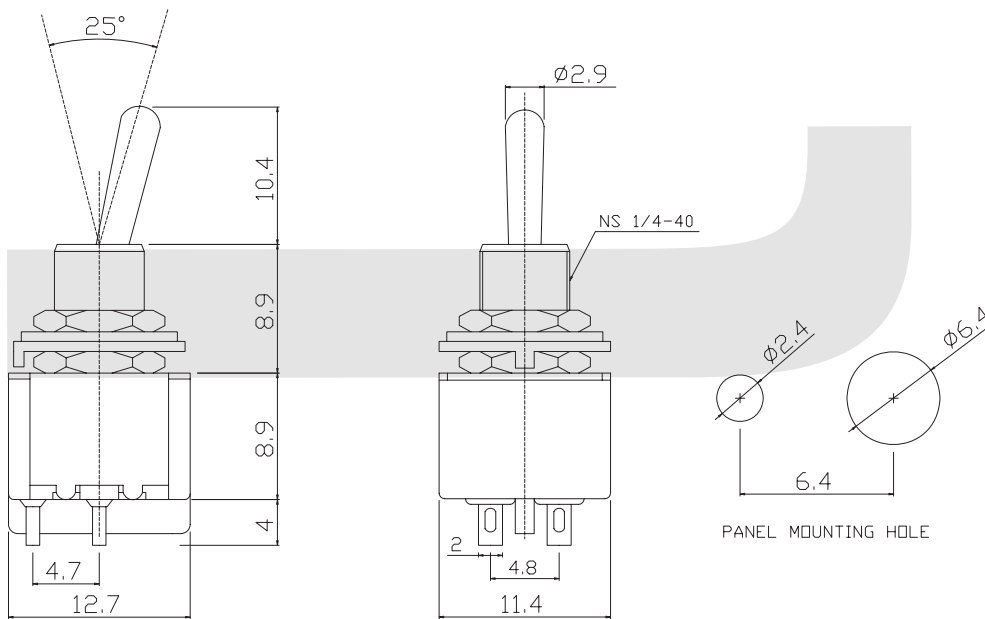
## Toggle Switch Series

### KLS7-MS-201-A1 Miniature Toggle Switch Series

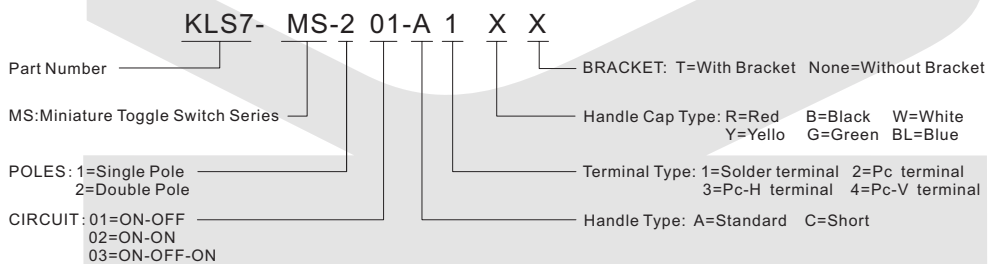
#### SPECIFICATIONS

Rating: 5A 125VAC; 2A 250VAC  
 Contact Resistance: 20MΩ max  
 Insulation Resistance: 500V DC 1000MΩ Min  
 Dielectric Strength: 1500V AC 1 Minute  
 Operating Temperature: -55°C~+85°C  
 Electrical Life :20,000 cycles

VII



## ORDER INFORMATION



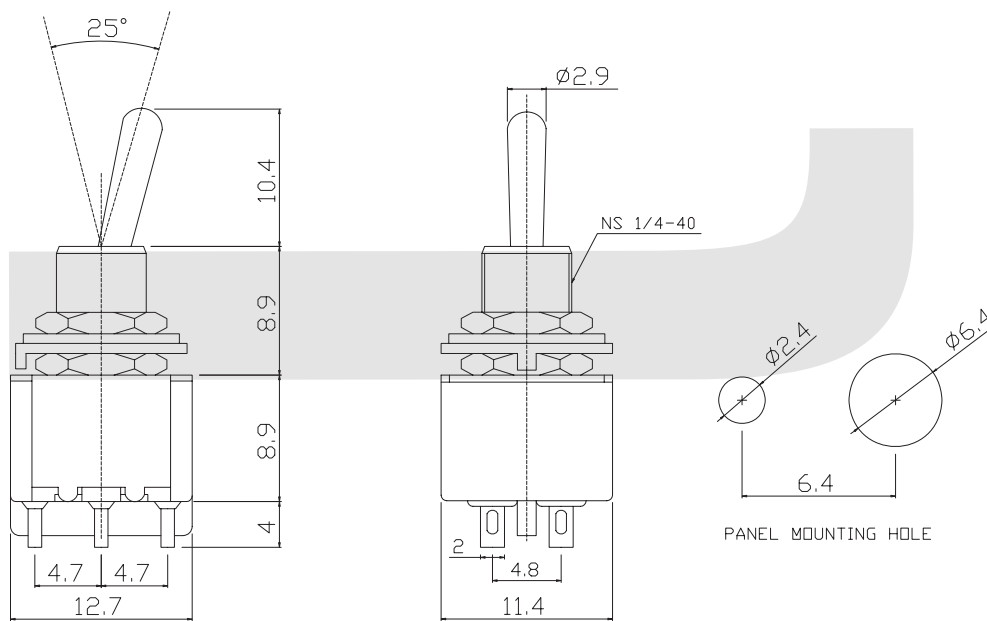
# Switch

## Toggle Switch Series

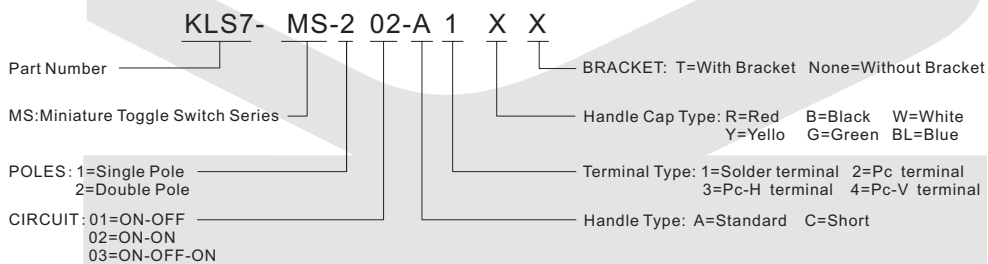
### KLS7-MS-202-A1 Miniature Toggle Switch Series

#### SPECIFICATIONS

- Rating: 5A 125VAC; 2A 250VAC
- Contact Resistance: 20MΩ max
- Insulation Resistance: 500V DC 1000MΩ Min
- Dielectric Strength: 1500V AC 1 Minute
- Operating Temperature: -55°C~+85°C
- Electrical Life :20,000 cycles



## ORDER INFORMATION



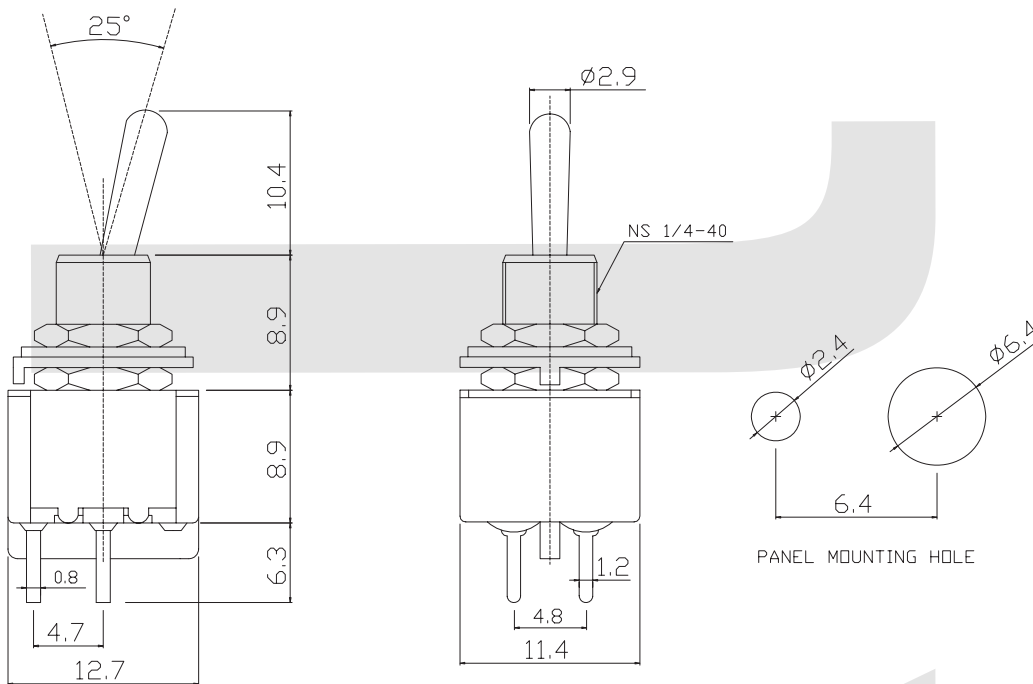
# Switch

## Toggle Switch Series

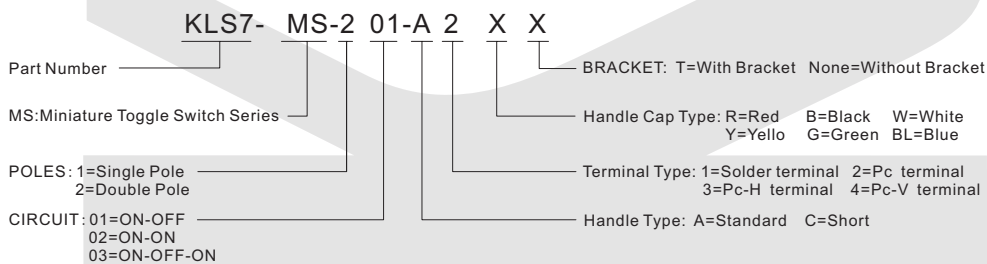
### KLS7-MS-201-A2 Miniature Toggle Switch Series

#### SPECIFICATIONS

- Rating: 5A 125VAC; 2A 250VAC
- Contact Resistance: 20MΩ max
- Insulation Resistance: 500V DC 1000MΩ Min
- Dielectric Strength: 1500V AC 1 Minute
- Operating Temperature: -55°C~+85°C
- Electrical Life :20,000 cycles



## ORDER INFORMATION



# Switch

## Toggle Switch Series

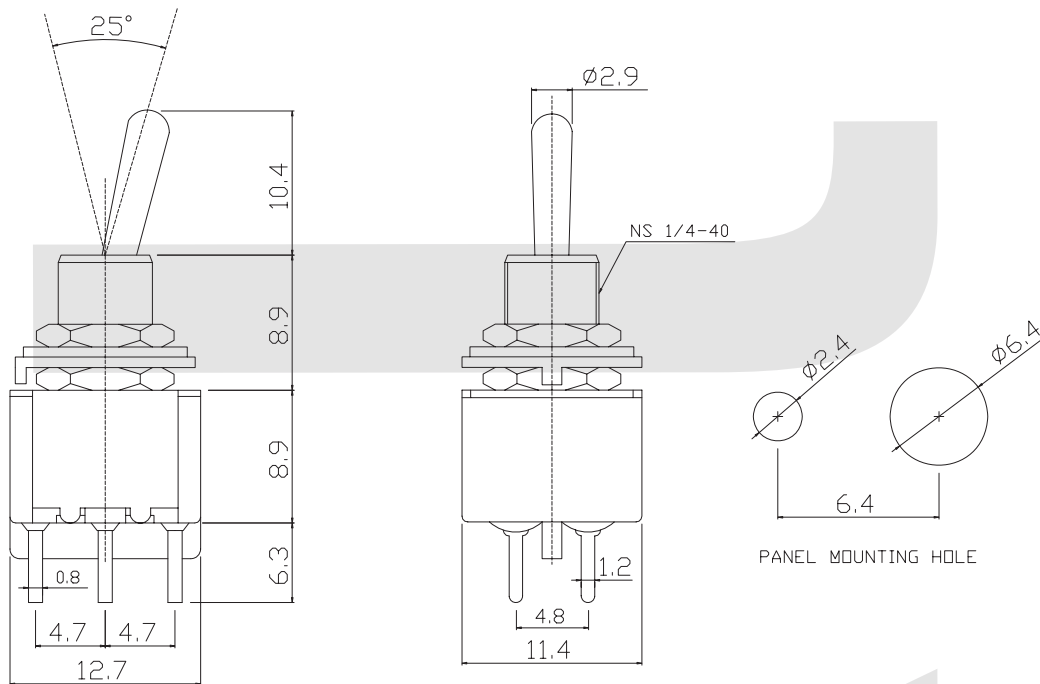
### KLS7-MS-202-A2 Miniature Toggle Switch Series

#### SPECIFICATIONS

- Rating: 5A 125VAC; 2A 250VAC
- Contact Resistance: 20MΩ max
- Insulation Resistance: 500V DC 1000MΩ Min
- Dielectric Strength: 1500V AC 1 Minute
- Operating Temperature: -55°C~+85°C
- Electrical Life :20,000 cycles



VII



## ORDER INFORMATION

