



DC Power Plug Series

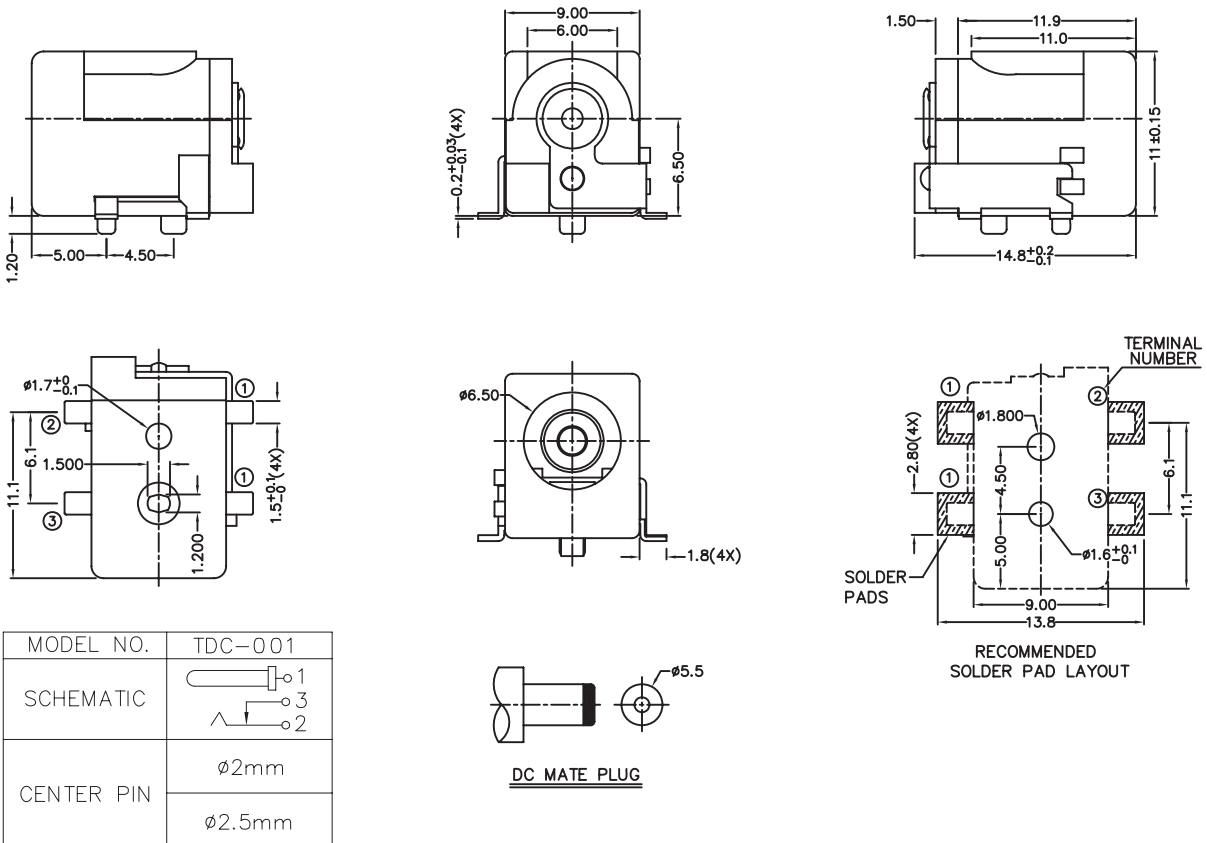
KLS1-TDC-001 (DC Power Socket)

Technical parameters:

Contact resistance: 0.03Ω, max
 Insulation resistance: 100MΩ, min
 Pressure: AC500V (50Hz) / 1minute
 Rated Load: DC 16V 2.0A max
 Actuating Force: 3~20N
 Life: 5000 times
 Operating Temperature: -30°C ~ 70°C

Material:

Centre Pin : Copper, Nickel Plated
 Terminal 1 : Brass, Tin Plated
 Terminal 3 : Bronze, Tin Plated
 Terminal 2 : Brass, Tin Plated
 Housing : PA6T
 Cover : PA6T



ORDER INFORMATION

Product NO.: KLS1-TDC-001-2.0-B

