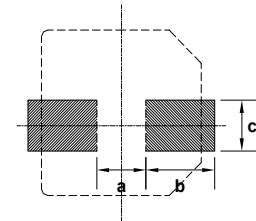
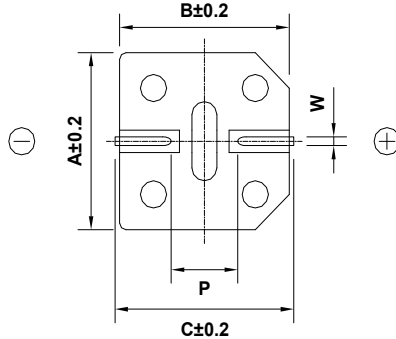
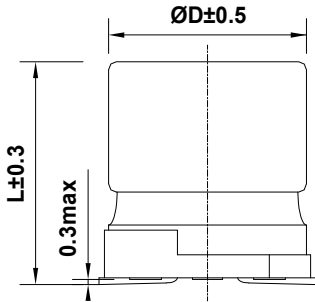


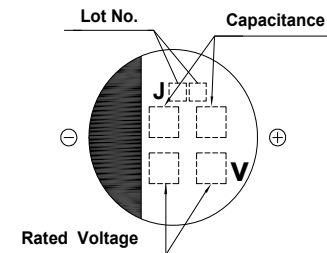
ALUMINUM ELECTROLYTIC CAPACITORS	APPROVAL NO.						
	6511						
BXJ 16 VC 4.7 (M)	<table border="1" style="width: 100%;"> <tr> <td style="text-align: center;">SERIES</td> <td style="text-align: center;">BXJ</td> </tr> <tr> <td style="text-align: center;">RATING</td> <td style="text-align: center;">16 V 4.7 μF</td> </tr> <tr> <td style="text-align: center;">CASE SIZE</td> <td style="text-align: center;">\varnothing 4 x 5.3 L</td> </tr> </table>	SERIES	BXJ	RATING	16 V 4.7 μ F	CASE SIZE	\varnothing 4 x 5.3 L
SERIES	BXJ						
RATING	16 V 4.7 μ F						
CASE SIZE	\varnothing 4 x 5.3 L						

A. DIAGRAM OF DIMENSIONS

Recommended Solder land on PC board



█ : Solder land on PC board



Case code	ØD	L	A	B	C	W	P	a	b	c
D56	4	5.3	4.3	4.3	5.1	0.5-0.8	1.0	1.0	2.6	1.6

B. ELECTRICAL CHARACTERISTICS

- A. OPERATING TEMPERATURE RANGE : -55 ~ +105 °C
- B. RATED VOLTAGE : 16 V_{DC}
- C. SURGE VOLTAGE : 20 V_{DC}
- D. CAPACITANCE TOLERANCE : ± 20% at 20 °C, 120Hz
- E. LEAKAGE CURRENT : Lower 3 μ A, after 2 minutes at 20 °C
- F. DISSIPATION FACTOR (TAN δ) : Lower 0.16 at 20 °C, 120Hz
- G. MAX. RIPPLE CURRENT : 85 mArms at 105 °C, 100kHz
- H. TEMPERATURE CHARACTERISTIC :
 (Max. Impedance ratio) $Z(-25\text{ }^{\circ}\text{C}) / Z(20\text{ }^{\circ}\text{C}) = \underline{2}$
 $Z(-55\text{ }^{\circ}\text{C}) / Z(20\text{ }^{\circ}\text{C}) = \underline{4}$ (at 120Hz)
- I. LOAD LIFE : The following specifications shall be satisfied when the capacitors are restored to 20 °C after the rated voltage is applied for 2,000 hours at 105 °C.
 - # Capacitance change \leq ±30 % of the initial value
 - # Tan δ \leq 300 % of the initial specified value
 - # Leakage Current \leq The initial specified value
- J. SHELF LIFE : The following specifications shall be satisfied when the capacitors are restored to 20 °C after exposing them for 1,000 hours at 105 °C without voltage applied. The rated voltage shall be applied to the capacitors for a minimum of 30 minutes, at least 24 hours and not more than 48 hours before the measurement.
 - # Capacitance change \leq ±30 % of the initial value
 - # Tan δ \leq 300 % of the initial specified value
 - # Leakage Current \leq The initial specified value
- K. CLEANING CONDITIONS : Solvent - proof
- L. OTHERS : Satisfied characteristics KS C IEC 60384-4

※ IMP.(20 °C, 100kHz) : 1.8 (Ω) ↓

