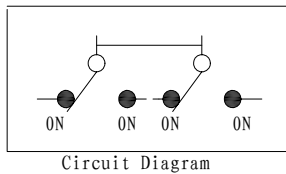
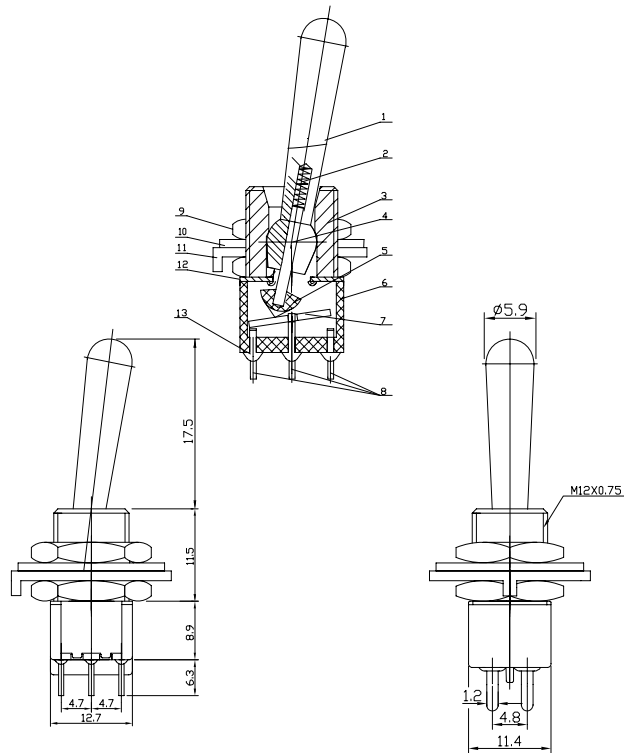


	PARTS NAME	THE PARTS OF MATERIAL	PLATING	RoHS
1	Slide Handle	Brass	Chromium Plating	RoHS
2	Spring	Steel wire	-----	RoHS
3	Bushing	Brass	Nickel Plating	RoHS
4	Supporting Halt	Brass	-----	RoHS
5	Sliding Point	Bakelite	-----	RoHS
6	Housing	Bakelite		RoHS
7	Movable Plate	Brass	Silver Plating	RoHS
8	Terminals	Brass	Silver Plating	RoHS
9	Nuts	Brass	Nickel Plating	RoHS
10	Zigzag Washer	Stainless Steel	-----	RoHS
11	Fix Washer	Stainless Steel	-----	RoHS
12	Steel crust	Stainless Steel	-----	RoHS
13	Epoxy Seal	5010A/B	-----	RoHS



Specification

Rating: 2A 250V AC ; 5A 125V AC  
Contact R: 20 mΩ Max  
Insulation R: DC500V 1000MΩMin  
Dielectric strength: 1500V AC, 1minute  
Electrical life: 10,000 Cycles

MODEL	L-KLS7-MS-M12-202-A2
TITLE	Miniature Toggle Switch

**KLS ELECTRONIC CO., LTD**