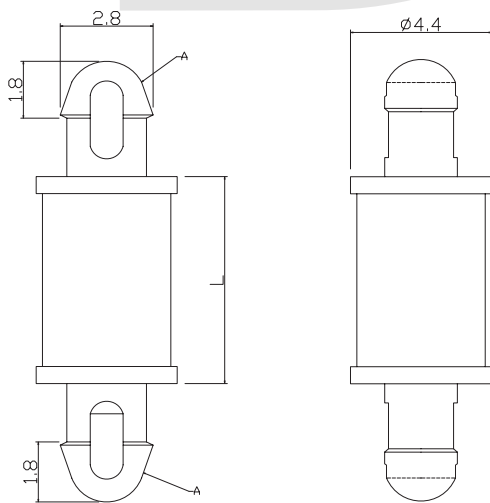


PCB Support Series

KLS8-0237 PCB Support Series

Material: UL approved Nylon 66, 94V-2
Drill 4mm hole on both P.C.B. board and chasis before usage.
For application where the space is limited and extra height is prohibited

Unit:mm



"A" HOLE IN P.C.B. $\varnothing 2.54$
P.C.B THICKNESS 1.6MM

Part No.	Spacing Height "L" ± 0.3 mm (inch)	Package
LCA-03	3.9	1000PCS
LCA-04	4.8	
LCA-06	6.4	
LCA-08	8.0	
LCA-09	9.5	
LCA-12	12.7	
LCA-15	15.9	

ORDER INFORMATION

KLS8-0237 - LCA-03

