

Connector

I.D.C Socket Series

KLS1-204 I.D.C SOCKET 2.54mm (0.10")

Electrical Characteristics:

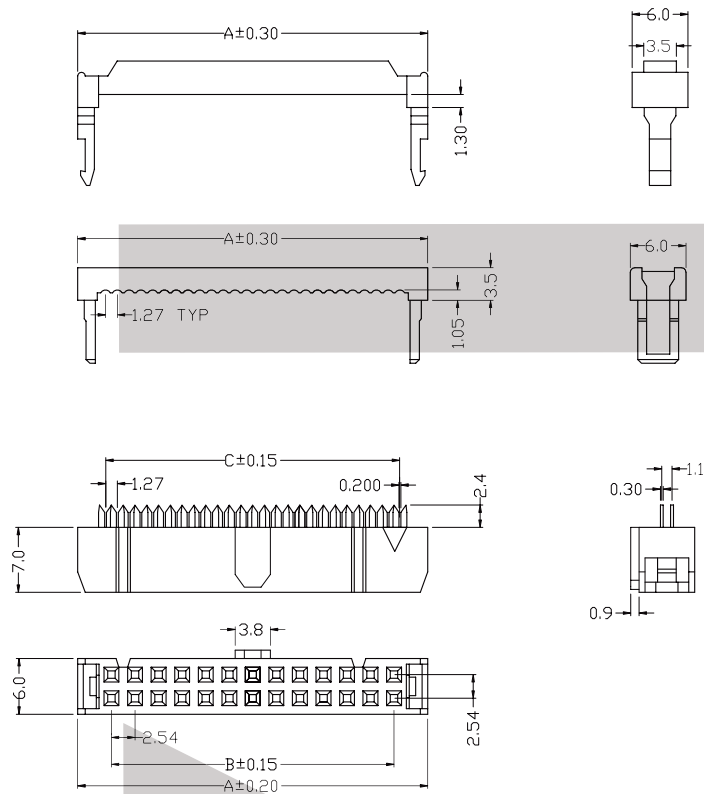
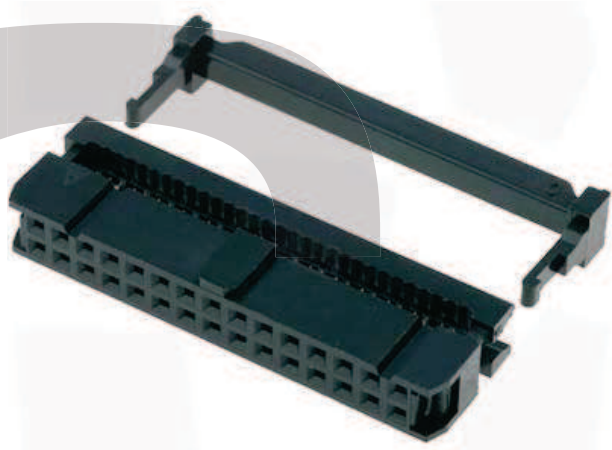
- Current Rating: 1 AMP
- Insulator Resistance: 5000M Ohm min. at DC 500V
- Contact Resistance: 20m Ohm max. at DC 100mA
- Operating Temperature: -45°C~+105°C

Material:

- Housing: 30% Glass filled PBT UL94V-0
- Contacts: Brass or Phosphor Bronze
- Plating: Selective gold plated: gold plated on mating area and nickel plated on wire cutting area
- Gold plated: 3u" over 50u" nickel
- Cable: 1.27mm (0.050") pitch flat cable

Features:

- * Optional polarizing key, polarizing bump.
- * Optional strain relief.



Dimension

Position	A	B	C
06	12.22	5.08	6.35
08	14.76	7.62	8.89
10	17.30	10.16	11.43
14	22.38	15.24	16.51
16	24.92	17.78	19.05
20	30.00	22.86	24.13
24	35.08	27.94	29.21
26	37.62	30.48	31.75
30	42.70	35.56	36.83
34	47.78	40.64	41.91
40	55.40	48.26	49.53
50	68.10	60.96	62.23
60	80.80	73.66	74.93
64	85.88	78.74	80.01

ORDER INFORMATION

Product NO.: KLS1-204-XX-B

Pos. NO. _____ Insulator Color: B=Black G=Gray L=Blue
I.D.C SOCKET Series _____ Number of Contacts: XX=06-64Pin