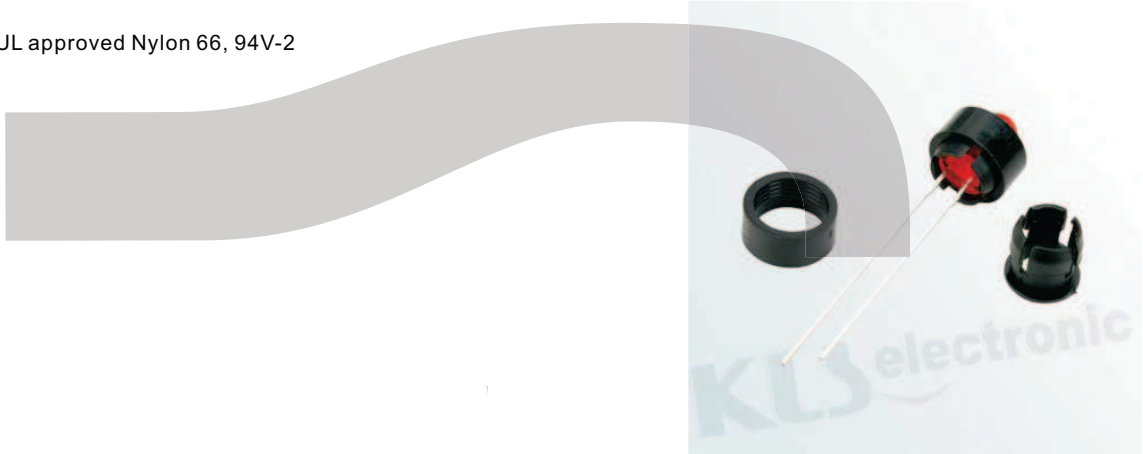


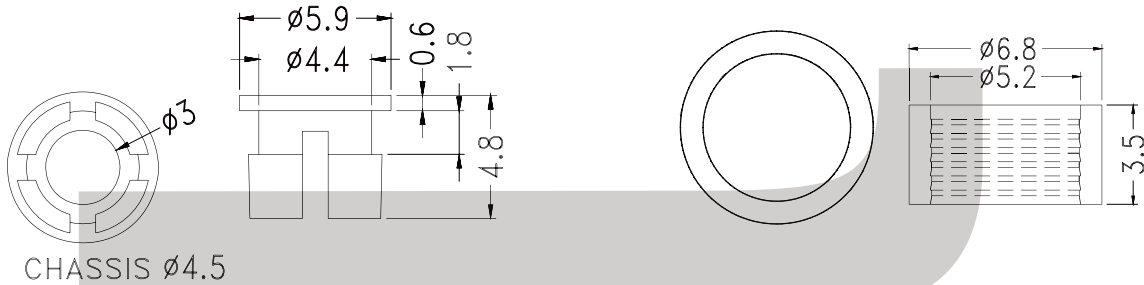
Led Spacer Support Series

KLS8-0117 Led Holder Series

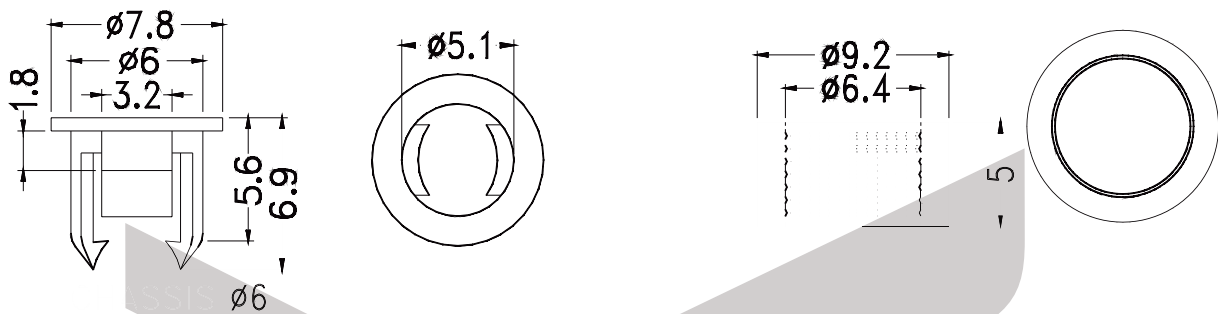
Material: UL approved Nylon 66, 94V-2  
Unit:mm



KLS8-0117-3



KLS8-0117-5



ORDER INFORMATION

KLS8-0117- 3

- LED OD
- LED Holder Series
- Part Number