

Polymer PTC Resettable Fuse: KRG Series

60Vdc Radial Leaded Type



■ Features

1. RoHS & Halogen-Free (HF) compliant
2. Radial leaded devices
3. Broadest range of resettable devices available in the industry
4. Hold current ratings from 0.1 to 3.75A
5. Maximum voltage is 60Vdc
6. Operating & storage temperature range : -40 ~ +85°C
7. Agency Recognition : UL / cUL / TUV



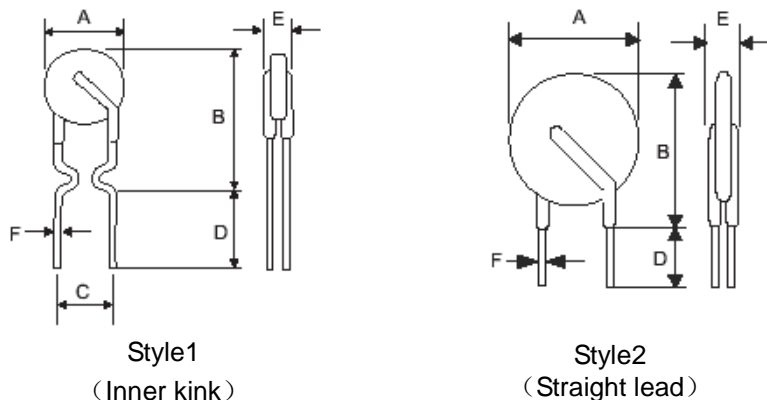
■ Recommended Applications

1. Motors / fans
2. Keyboard / mouse
3. Transformers
4. Industrial controls
5. Automotive electronics

■ Part Number Code

K	R	G	0	6	0	0	1	3	5	I	B	Y			
1	2	3	4	5	6	7	8	9	10	11	12	13	14	15	16
Product Type		Form Factor		Usage		Max. Operating Voltage (Vmax)		I hold		Appearance		Packaging		Optional Suffix	
K	THINKING Polymer PTC Resettable Fuse	R	Radial	G	General	060	60V	0010	0.1A	S	Straight lead	B	Bulk	Y	RoHS & HF Compliant
								0135	1.35A	I	Inner Kink	A	Ammo Taping		
								0250	2.5A			R	Reel Taping&		
								0375	3.75A						

■ Structure and Dimensions



Marking: Device is marked with product type, Vmax, and I hold.

(Unit:mm)

Polymer PTC Resettable Fuse: KRG Series

60Vdc Radial Leaded Type



Part no	A	B	C	D	E	F	Figure
	Max.	Max.	Typ.	Min.	Max.	Typ.	Style
KRG0600010	7.4	12.7	5.0±0.8	7.6	3.0	0.5±0.02	1,2
KRG0600017	7.4	12.7	5.0±0.8	7.6	3.0	0.5±0.02	1,2
KRG0600020	7.4	12.2	5.0±0.8	7.6	3.0	0.5±0.02	1,2
KRG0600025	7.4	12.7	5.0±0.8	7.6	3.0	0.5±0.02	1,2
KRG0600030	7.4	13.0	5.0±0.8	7.6	3.0	0.5±0.02	1,2
KRG0600040	7.6	13.5	5.0±0.8	7.6	3.0	0.5±0.02	1,2
KRG0600050	7.6	13.7	5.0±0.8	7.6	3.0	0.5±0.02	1,2
KRG0600065	9.7	14.5	5.0±0.8	7.6	3.0	0.5±0.02	1,2
KRG0600075	10.4	15.2	5.0±0.8	7.6	3.0	0.5±0.02	1,2
KRG0600090	11.7	15.7	5.0±0.8	7.6	3.0	0.5±0.02	1,2
KRG0600110	13.0	18.0	5.0±0.8	7.6	3.0	0.8±0.02	1,2
KRG0600135	14.5	19.6	5.0±0.8	7.6	3.0	0.8±0.02	1,2
KRG0600160	16.3	21.3	5.0±0.8	7.6	3.0	0.8±0.02	1,2
KRG0600185	17.8	22.9	5.0±0.8	7.6	3.0	0.8±0.02	1,2
KRG0600250	21.3	26.4	10.0±0.8	7.6	3.0	0.8±0.02	1,2
KRG0600300	24.9	30.0	10.0±0.8	7.6	3.0	0.8±0.02	1,2
KRG0600375	28.4	33.5	10.0±0.8	7.6	3.0	0.8±0.02	1,2

■ Electrical Characteristics at 23°C

Part no.	Vmax.	I _{max} .	I _{hold}	I _{trip}	P _d (Typ.)	Maximum Time to Trip		Resistance			Safety Approvals	
	(V _{dc})	(A)	(A)	(A)	(W)	Current	Time	Initial R _i		Post Trip R ₁	UL/cUL	TUV
						(A)	(Sec)	Min. (Ω)	Max. (Ω)	Max.(Ω)		
KRG0600010	60	40	0.10	0.20	0.38	0.50	4.00	2.500	4.500	7.500	√	√
KRG0600017	60	40	0.17	0.34	0.48	0.85	3.00	3.300	5.210	8.000	√	√
KRG0600020	60	40	0.20	0.40	0.41	1.00	2.20	1.830	2.750	4.400	√	√
KRG0600025	60	40	0.25	0.50	0.45	1.25	2.50	1.250	1.950	3.000	√	√
KRG0600030	60	40	0.30	0.60	0.49	1.50	3.00	0.880	1.330	2.100	√	√
KRG0600040	60	40	0.40	0.80	0.56	2.00	3.80	0.550	0.860	1.290	√	√
KRG0600050	60	40	0.50	1.00	0.77	2.50	4.00	0.500	0.770	1.170	√	√
KRG0600065	60	40	0.65	1.30	0.88	3.25	5.30	0.310	0.480	0.720	√	√
KRG0600075	60	40	0.75	1.50	0.92	3.75	6.30	0.250	0.400	0.600	√	√
KRG0600090	60	40	0.90	1.80	0.99	4.50	7.20	0.200	0.310	0.470	√	√
KRG0600110	60	40	1.10	2.20	1.50	5.50	8.20	0.150	0.250	0.380	√	√
KRG0600135	60	40	1.35	2.70	1.70	6.75	9.60	0.120	0.190	0.300	√	√
KRG0600160	60	40	1.60	3.20	1.90	8.00	11.40	0.090	0.140	0.220	√	√
KRG0600185	60	40	1.85	3.70	2.10	9.25	12.60	0.080	0.120	0.190	√	√
KRG0600250	60	40	2.50	5.00	2.50	12.50	15.60	0.050	0.080	0.130	√	√
KRG0600300	60	40	3.00	6.00	2.80	15.00	19.80	0.040	0.060	0.100	√	√
KRG0600375	60	40	3.75	7.50	3.20	18.75	24.00	0.030	0.050	0.080	√	√

Note 1: UL&cUL File No: E138827

TUV File No: J 50161442

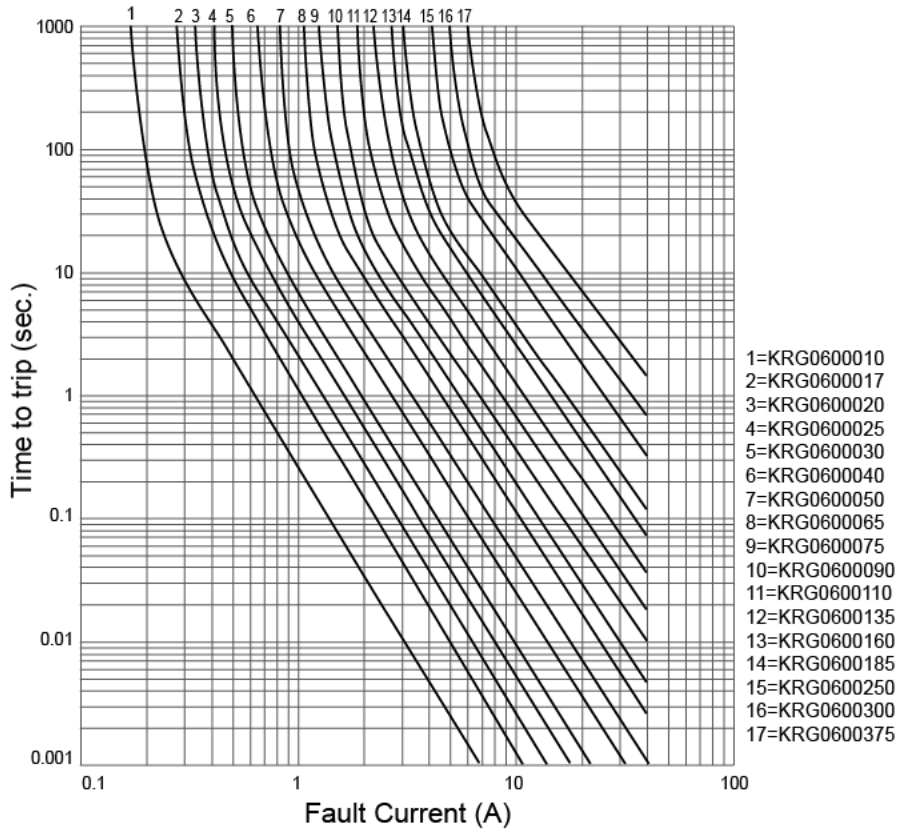
Note 2: Other V_{max} rating are available upon request.

Polymer PTC Resettable Fuse: KRG Series

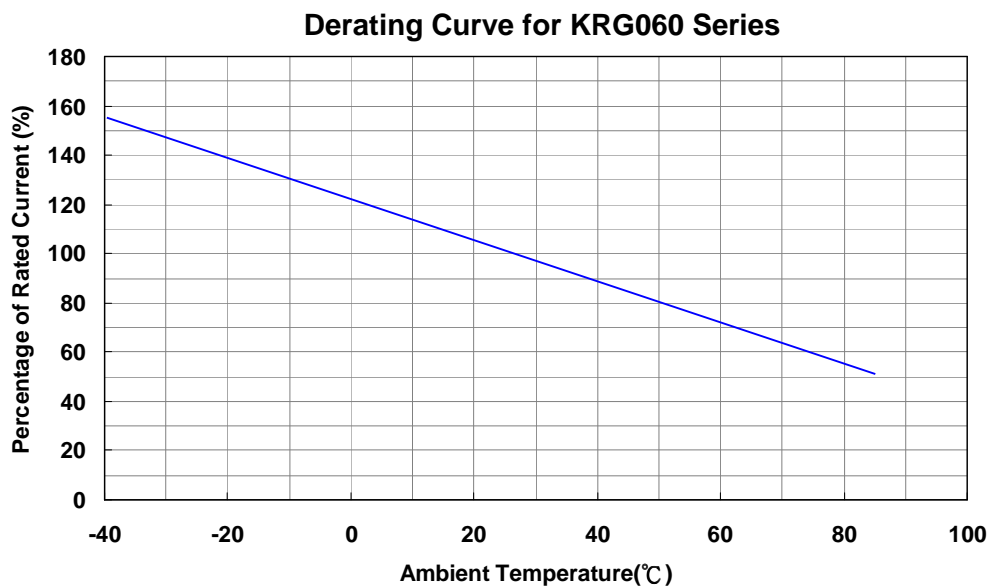
60Vdc Radial Leaded Type



Typical Time to Trip Curves at 23°C



Ihold & Itrip Thermal Derating Curve



Polymer PTC Resettable Fuse: KRG Series

60Vdc Radial Leaded Type



■ Hold Thermal Derating Chart

(Unit: A)

Part No.	Ambient Temperature								
	-40°C	-20°C	0°C	23°C	40°C	50°C	60°C	70°C	85°C
KRG0600010	0.15	0.14	0.12	0.10	0.09	0.08	0.06	0.06	0.05
KRG0600017	0.26	0.23	0.20	0.17	0.15	0.13	0.11	0.10	0.09
KRG0600020	0.31	0.27	0.24	0.20	0.17	0.16	0.12	0.12	0.10
KRG0600025	0.38	0.34	0.30	0.25	0.22	0.20	0.15	0.15	0.13
KRG0600030	0.46	0.41	0.36	0.30	0.26	0.23	0.19	0.18	0.15
KRG0600040	0.61	0.54	0.48	0.40	0.35	0.31	0.25	0.24	0.20
KRG0600050	0.77	0.68	0.60	0.50	0.44	0.39	0.31	0.31	0.25
KRG0600065	0.99	0.88	0.78	0.65	0.57	0.51	0.40	0.40	0.33
KRG0600075	1.15	1.02	0.90	0.75	0.65	0.59	0.46	0.46	0.38
KRG0600090	1.38	1.22	1.08	0.90	0.78	0.70	0.56	0.55	0.45
KRG0600110	1.60	1.43	1.27	1.10	0.92	0.85	0.75	0.67	0.57
KRG0600135	1.96	1.76	1.55	1.35	1.12	1.04	0.92	0.83	0.70
KRG0600160	2.23	2.08	1.84	1.60	1.33	1.23	1.08	0.98	0.80
KRG0600185	2.68	2.41	2.13	1.85	1.54	1.43	1.26	1.13	0.90
KRG0600250	3.63	3.25	2.88	2.50	2.08	1.93	1.70	1.50	1.30
KRG0600300	4.35	3.90	3.45	3.00	2.50	2.30	1.90	1.80	1.50
KRG0600375	5.44	4.88	4.31	3.75	3.11	2.90	2.54	2.29	1.90

■ Reliability

Item	Standard	Test Condition/methods	Criteria
Resistance to Soldering Heat	IEC 60068-2-58	260 ± 5 °C , 10 ± 1 sec	Rf<R1max No visible damage
Passive Aging	IEC 60738-1	85±5°C, 1000±24hrs	±5% typical resistance change
Humidity Aging	IEC 60068-2-78	85±5°C, 80~85%RH, 1000±5hrs	±5% typical resistance change
Rapid Change of Temperature	IEC 60738-1	85±5/-40±5°C, 10 cycles, Duration:30min	±5% typical resistance change
Overload Endurance	UL 1434	Vmax,120% Imax ,50 cycles Vmax,300% Itrip ,6000 cycles	No visible damage
Trip endurance	UL 1434	Vmax, Itrip ≤ I ≤ Imax , 1000±24hrs	No visible damage

Polymer PTC Resettable Fuse: KRG Series

60Vdc Radial Leaded Type



■ Packaging

Devices taped using IEC60286-2 standards. See table below and Fig. 1~3 for details.

Dimension description	IEC Mark	Dimension (mm)	Tolerance (mm)
Sprocket hole pitch	P ₀	12.70	±0.3
Ordinate to adjacent component lead KRG0600010~ KRG0600185	P ₁	3.85	±0.7
Ordinate to adjacent component lead KRG0600250~KRG0600375		7.70	±0.7
Device pitch KRG0600010~KRG0600090	P	12.70	±1.0
Device pitch KRG0600110~KRG0600300		25.40	±1.0
Device pitch KRG0600375		38.10	±1.0
Lead spacing KRG0600010~KRG0600185	F	5.00	±0.8
Lead spacing KRG0600250~KRG0600375		10.00	
Lead diameter KRG0600010~KRG0600090	d	0.50	±0.02
Lead diameter KRG0600110~KRG0600375		0.80	
Carrier tape width	W	18.00	+1/-0.5
Top distance between tape edges	W ₂	3.00	Max
Hold-down tape width	W ₀	12.00	±1.0
Sprocket hole position	W ₁	9.00	+0.75/-0.5
Abscissa to top KRG0600010~KRG0600090	H ₁	32.20	Max.
Abscissa to top KRG0600110~ KRG0600375		47.50	
Abscissa to plane (straight lead)	H	18.00	+2/-0
Abscissa to plane (kinked lead)	H ₀	16.00	±0.5
Sprocket hole diameter	D ₀	4.00	±0.2
Lead protrusion	L ₁	0.50	Max.
Tape thickness	T	0.60	±0.2
Body lateral deviation	Δh	2.00	Max.
Body tape plane deviation	Δp	1.00	Max.
Reel width	W ₃	56.00	Max.
Reel diameter		340.00	±10
Arbor hole diameter	n ₀	31.00	±1
Core diameter	n	80.00	Min.

Polymer PTC Resettable Fuse: KRG Series

60Vdc Radial Leaded Type



● Taping Specification

Fig.1 For KRG0600010 ~ KRG0600185

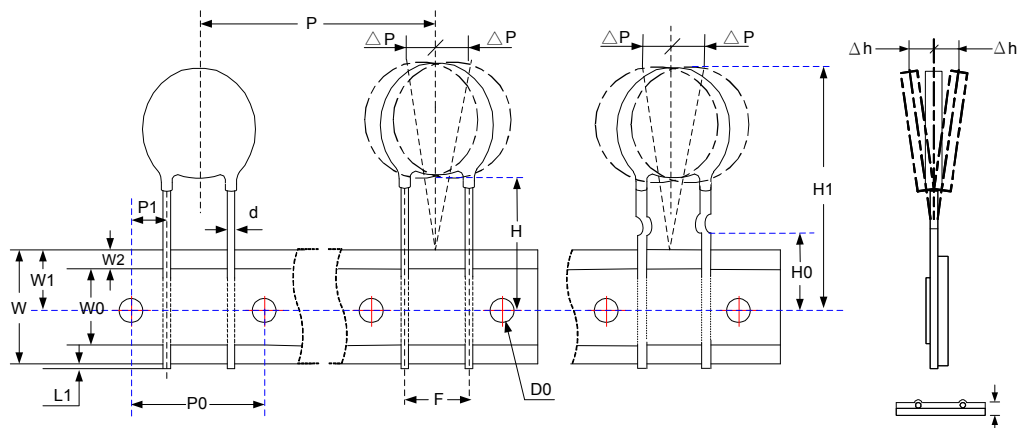
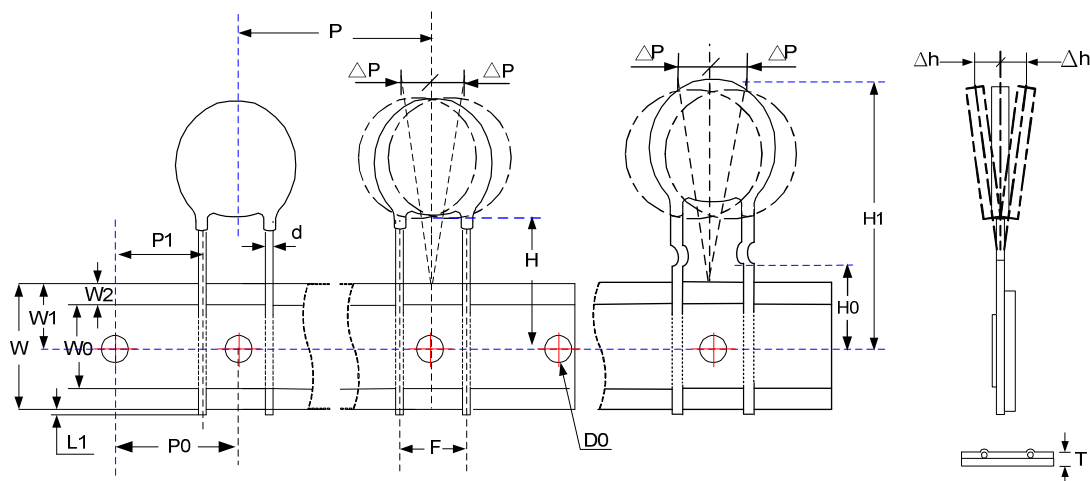
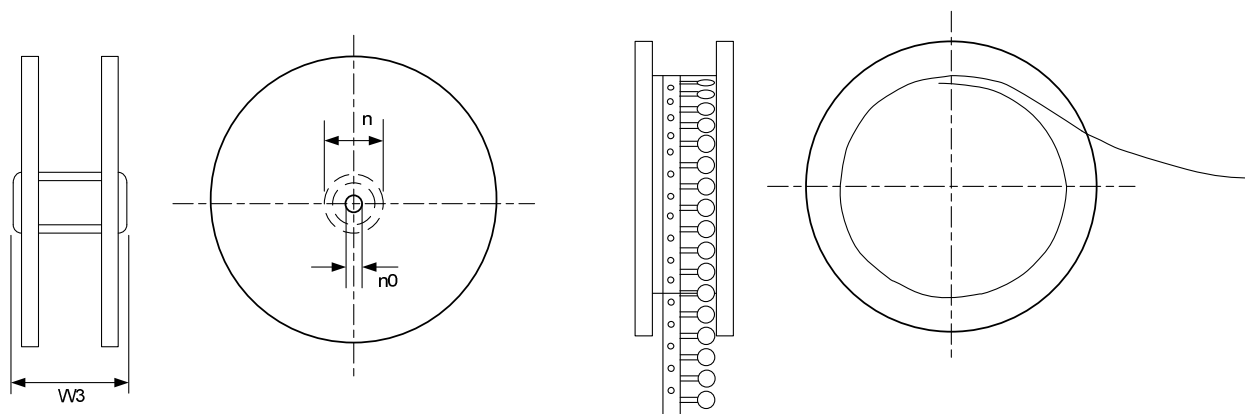


Fig.2 For KRG0600250 ~ KRG0600375



● Reel Specification

Fig.3



Polymer PTC Resettable Fuse: KRG Series

60Vdc Radial Leaded Type



■ Quantity

● Bulk Packing

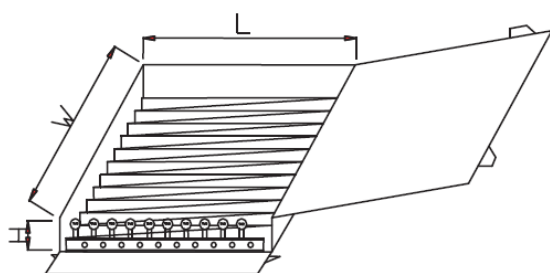
Series	Quantity (pcs/bag)
KRG060 (0010~0025)	1,000
KRG060 (0030~0185)	500
KRG060 (0250~0375)	250

● Reel Packing

Series	Quantity (pcs/reel)
KRG060 (0010, 0020~0040)	3,000
KRG0600017	2,500
KRG060 (0050~0090)	2,000
KRG060 (0110~0185)	1,500
KRG060 (0250~0375)	1,000

● Ammo Packing

Series	Quantity (pcs/box)
KRG060 (0010~0090)	1,000
KRG060 (0110~0375)	500



(Unit: mm)

Series	W	L	H
KRG060(0010~0090)	348	185	50
KRG060(0110~0375)	348	185	73

■ Warehouse Storage Conditions of Products

● Storage Conditions:

1. Storage Temperature: $-10^{\circ}\text{C} \sim +40^{\circ}\text{C}$
2. Relative Humidity: $\leq 75\% \text{RH}$
3. Keep away from corrosive atmosphere and sunlight.

● Period of Storage: 1 year