

CUSTOMER: Ozdisan
DISTRIBUTOR:
(PE48AA1)

NO.: TC117015

APPROVE SHEET

[Compliance with RoHS]

PRODUCT: DC BRUSHLESS FAN

USER P/N: _____

Parts No.: JF1238B1SR130-065RZ

Printed model number on the stick: SAD12038S4B

(SIGNATURE)

JAMICON GROUP
KAIMEI ELECTRONIC CORP.
TEL: 0755-2813 5359
FAX: 0755-2813 5384



APPROVED	CHECKER	DESIGNER
研發經理 2011.7.25 尤焜儀	課長 2011.7.25 李波	王婷 2011/07/25

1. MECHANICAL:

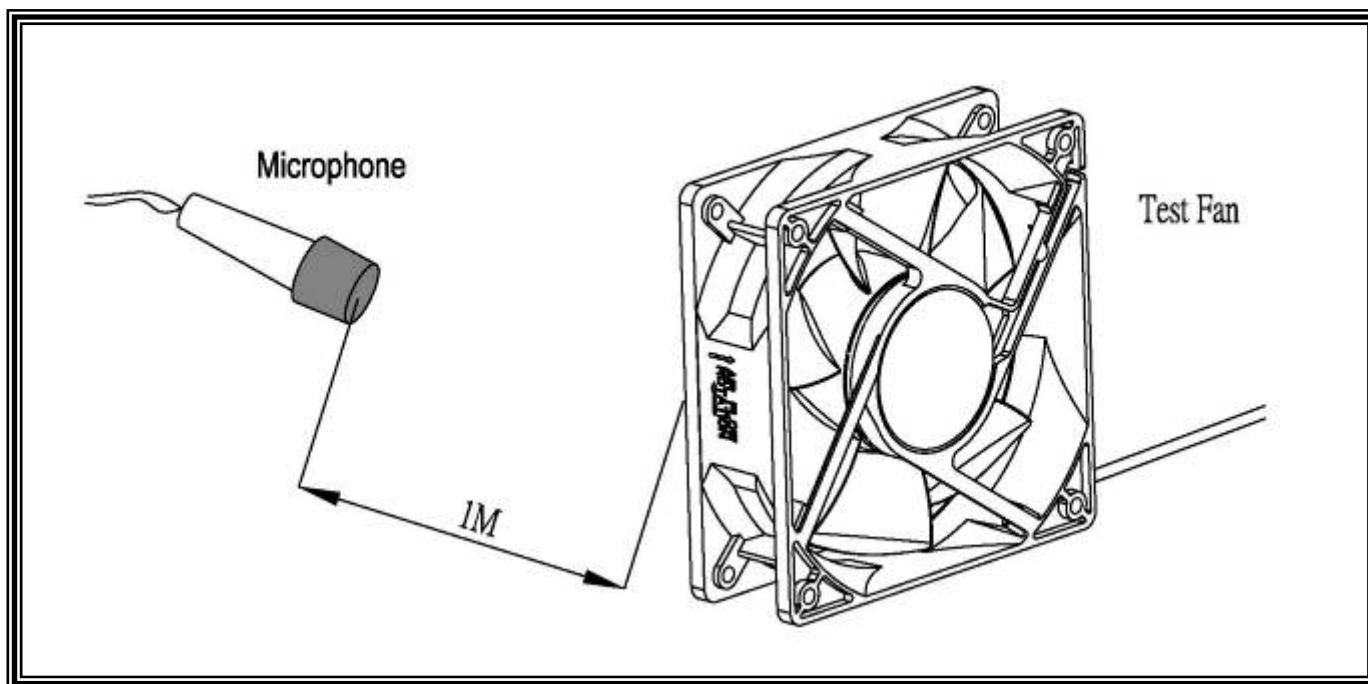
1-01	Dimension	Dimension of fan shall be shown in the outline styling drawing attached.
1-02	Motor	Four-pole motor.
1-03	Frame	Plastic material UL 94V-0 (P.B.T).
1-04	Impeller	Plastic material UL 94V-0 (P.B.T).
1-05	Free drop shock	In minute package condition, the fan should withstand each one drop of three faces from 30cm distance height onto 10 mm thickness of wooden board.

2.ELECTRICAL:

2-01	Rated current	Rated current shall be measured after 30 minutes continuous rotation at rated voltage.
2-02	Start voltage	The voltage that enable to start the fan by sudden switch on.
2-03	Rated Speed	Rated speed shall be measured after 30 minutes continuous rotation at rated voltage.
2-04	Input Power	Input power shall be measured after 30 minutes continuous rotation at rated voltage.
2-05	Lock Current	Locked current shall be measured Within one minute at rotor locked, after 30 minutes continuous rotation at rated voltage in clear air.
2-06	Insulation resistance	More than 10M ohm at 500 V.D.C between lead and housing.
2-07	Dielectric strength	Measured 5 mA(max) trip current at 700 V.A.C for 3 sec. between lead and housing.
2-08	Locked motor protection	Designed to meet UL, CUL and TUV.

3.CHARACTERISTICS:

3-01	Air Flow & Static Pressure	The air flow data and static pressures should be determined in accordance with AMCA standard or DIM 24163 specification in a double- chamber testing with intake-side measurement.
3-02	Noise level	The measurement of noise level is carried out with reference to DIM 45635 in an echoic chamber with the microphone positioned 1 M from the air intake. Testing fan shall be hung in clean air.



4.ENVIRONMENTAL:

4-01	Operating temperature	-10°C to 70°C (ordinary humidity)
4-02	Storage Temperature	-40°C to 70°C (ordinary humidity)
4-03	Humidity	After 96 hrs, 95% RH 40±2°C per MIL-STD-202F method 103B, Humidity test , The measured data of insulation resistance & dielectric strength should meet the specification listed in attach.
4-04	Thermal Shock	After thermal shock test per MIL-STD-202F method 107D, Condition D, The measured data of insulation resistance & dielectric strength should the specification

5.DATA-SHEET:

MODEL: JF1238B1SR130-065RZ

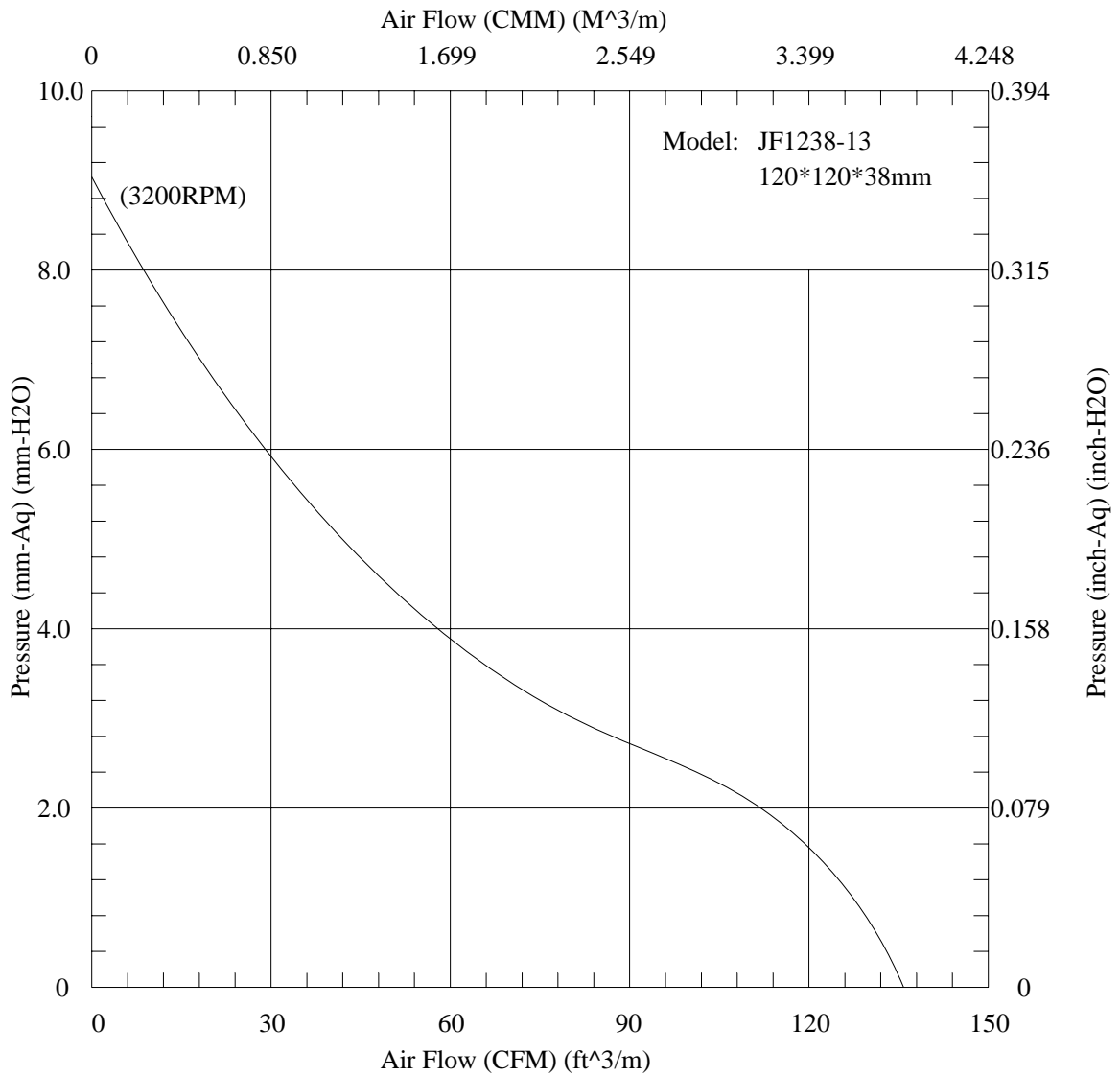
5-1. SPECIFICATION:

NO.	ITEM	SPECIFICATION	UNIT	CONDITION
5-1-01	Dimension	120*120*38	mm	-----
5-1-02	Bearing	Dual Ball	-----	-----
5-1-03	Rated Voltage	12	VDC	-----
5-1-04	Operating Voltage	6.0~13.8	VDC	-----
5-1-05	Start Voltage	6.0	VDC	On/off test
5-1-06	Speed	3200	R.P.M	±10%, At rated Voltage
5-1-07	Input Current	0.70	Amp	At rated Voltage
5-1-08	Input Power	8.40	Watt	At rated Voltage
5-1-09	Nominal Current	0.80	Amp	At rated Voltage
5-1-10	Air Flow	135.8	CFM	At 0 static Pressure of rated speed
5-1-11	Static Pressure	0.356	inchH ₂ O	At 0 air flow of rated speed
5-1-12	Noise	47.9	dBA	At rated speed
5-1-13	Life Expectancy(L10)	75,000	Hours	At 40°C
5-1-14	Motor protection	Electronic protected		
5-1-15	Polarity Protection	It will not damage the fan while reverse input.		
5-1-16	Auto Restart	YES	-----	-----
5-1-17	Speed Signal Output	NO	-----	-----
5-1-18	Alarm Signal Output	NO	-----	-----
5-1-19	Rotation direction	From the label side	-----	Clockwise
5-1-20	Weight	265	Gram	Per each piece
5-1-21	Safety Certificate	CE	-----	-----

5-2. LEAD WIRE:

NO.	ITEM	SPECIFICATION			
5-2-01	AWG NO. & Authorize	24 AWG, UL1007(The end of wire with tin as drawing)			
5-2-02	Color	—	+		
		Black	Red		
5-2-03	Line Length	240±10mm			
5-2-04	Connector	Notes as: Not available.			
5-2-05	Tube	NO			

JAMICON FAN PERFORMANCE CURVES



風扇振動噪音性能測試報告

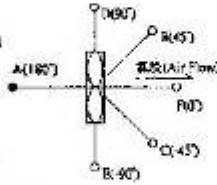
(The Test Report of Fan Vibration and Noise)

風扇型號(Sample Type): JF1238
 基本規格(Properties): DC12V 7葉 4極 3200RPM

測試日期(Test Date): 2006/3/20 PM 03:32:25
 測試編號(Test No.): (1)

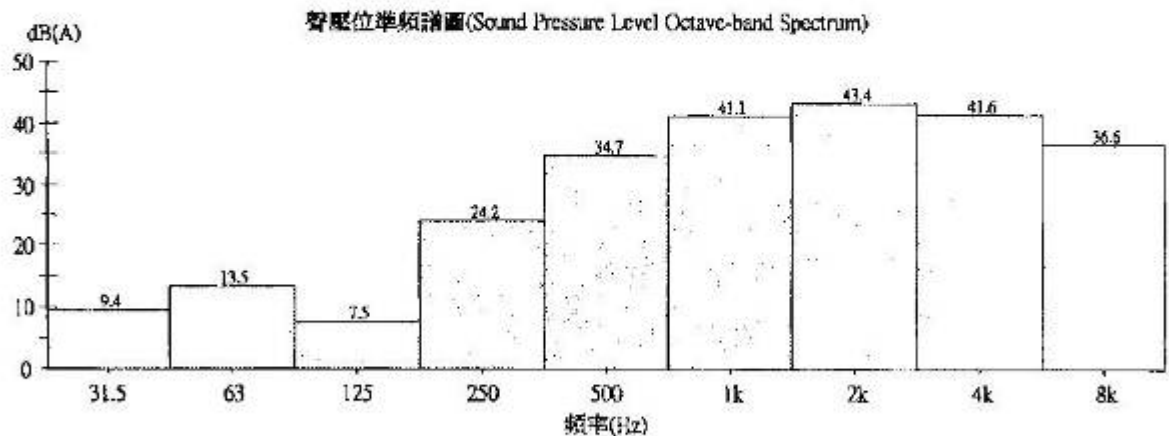
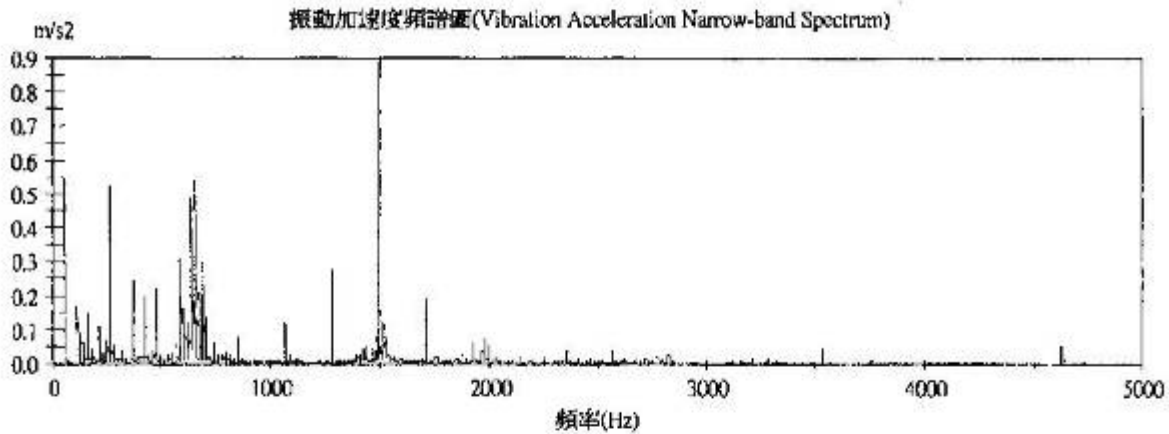
測試條件(Test Conditions)

輸入電壓(Input Voltage): 12 V
 量測時間(Measuring Time): 20 sec
 麥克風距離(Mic. Distance): 100 cm
 麥克風角度(Mic. Angle): 180°
 頻域加權(Freq. Weighting): A
 時域加權(Time Weighting): SLOW
 背景噪音(Background Noise): 15.0 dB(A)
 溫度(Temperature): °C
 相對濕度(Relative Humidity): %



測試結果(Test Results)

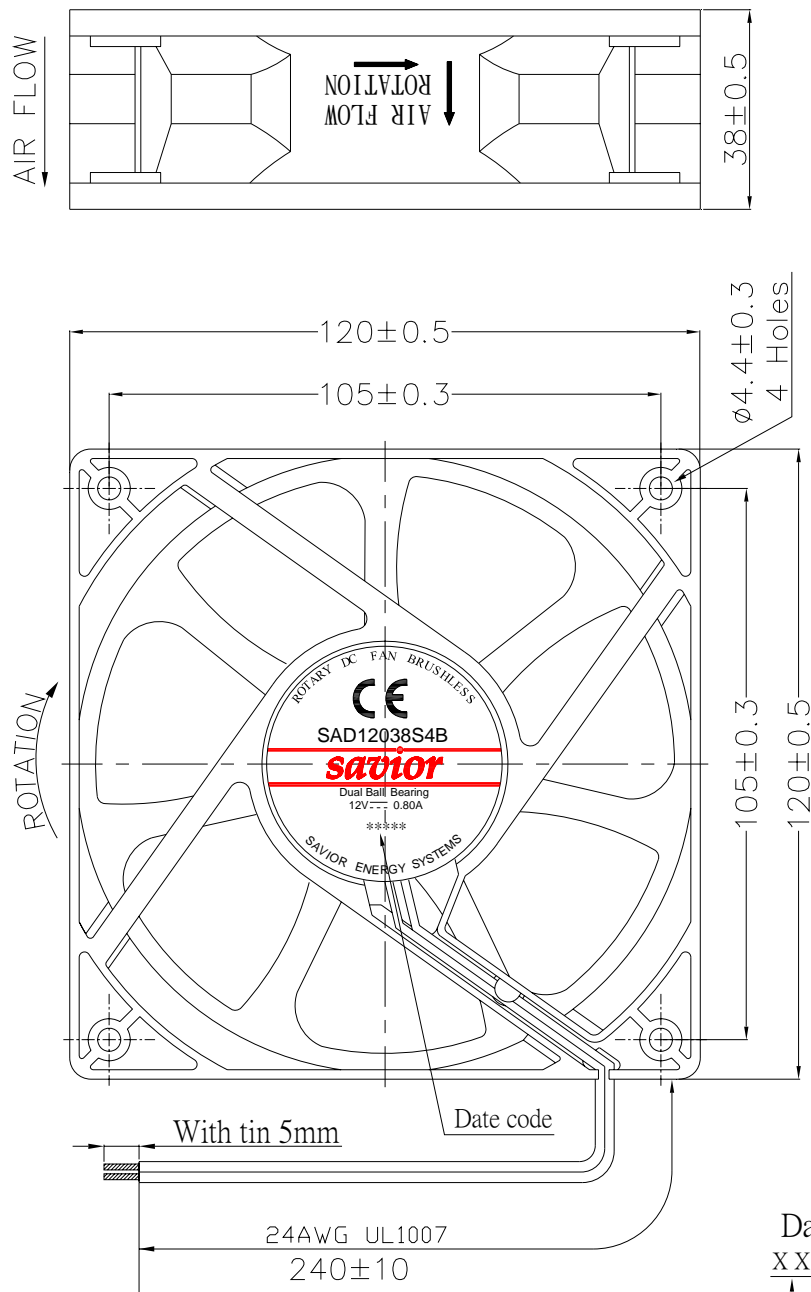
電壓(Passing Voltage):
 電流(Electric Current):
 消耗功率(Power Dissipation):
 轉速(Rotation Speed): 3205 RPM
 振動量(Vibration Level) (依據 ISO 2372)
 振動速度(Vib. Velocity): 1.75 mm/sec RMS
 均能聲壓位準(Time-averaged SPL, Leq) (依據 CNS 8753)
 量測點(At Meas. Point): 47.9 dB(A)
 1 米處(At 1m Point): 47.9 dB(A)
 最大聲壓位準(MaxL): 48.5 dB(A)
 最小聲壓位準(MinL): 47.0 dB(A)



簽核人員: _____

操作員: 簽章: _____

A B C D E F G H



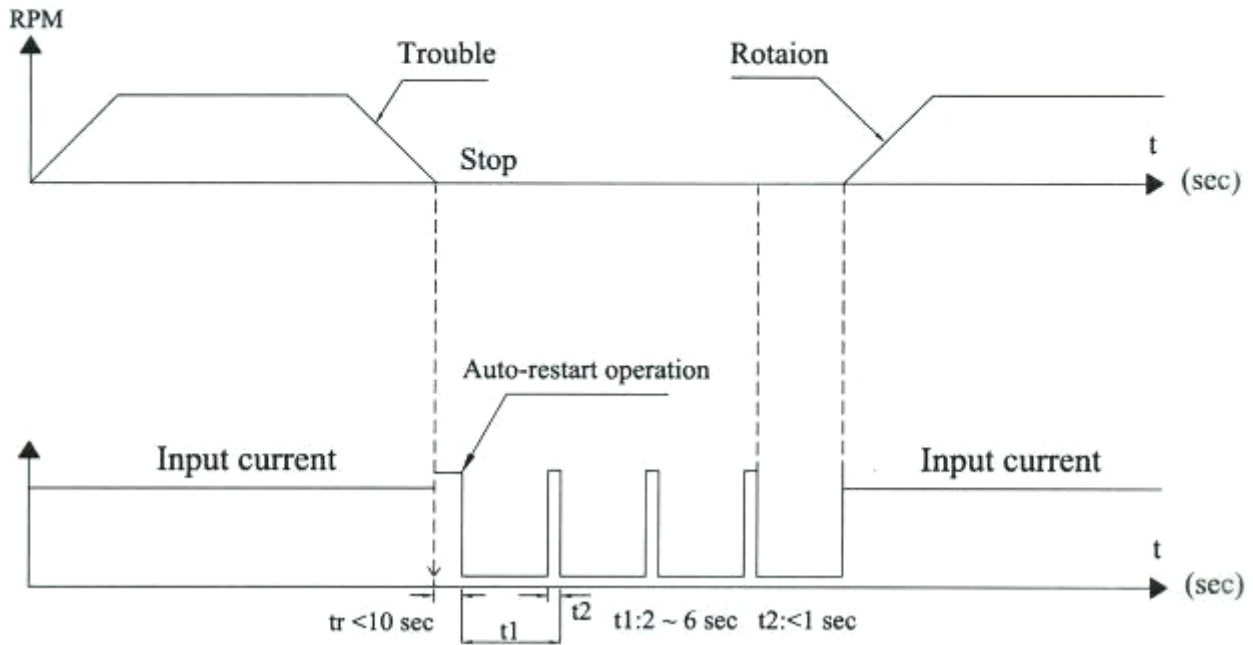
Date code
 XX X XX
 ↑ ↑ ↑
 Date
 Month
 Year

SCALE	PRODUCT	UNIT
	APPEARANCE OF FAN	mm
DWG. NO:	JF1238B1SR130-065RZ	
REV.	DESCRIPTION	DATE
0		
王婷	DESIGN	DATE
2011/07/25		

JAMICON
 凱美電機有限公司
 KAIMEI ELECTRONIC CORP.

Auto-restart

Fan motor speed



CE

SPORTON LAB.

Certificate No.:

EC2D2008-05

CERTIFICATE

- **EQUIPMENT:** Fan with DC motor
MODEL NO. : SADx1x2x3x4x5, SADx1x2x3x4x5-1
APPLICANT : Savior Kontrol Otomasyon Sistemleri Elektronik
Sanayi ve Ticaret A.S.
Des Sanayi Sitesi. 104. Sok. A07 Blok, No:2
Y. Dudullu, Istanbul - TURKEY



I HEREBY

CERTIFY THAT:

THE MEASUREMENTS SHOWN IN THIS TEST REPORT WERE MADE IN ACCORDANCE WITH THE PROCEDURES GIVEN IN EUROPEAN COUNCIL DIRECTIVE 2004/108/EC. THE EQUIPMENT WAS PASSED THE TEST PERFORMED ACCORDING TO European Standard EN 55022:2006 Class B, EN 61000-3-2:2006, EN 61000-3-3:1995/A1:2001/A2:2005 and EN 55024:1998/A1:2001/A2:2003 (IEC 61000-4-2:1995/A2:2000, IEC 61000-4-3:2006, IEC 61000-4-4:2004, IEC 61000-4-5:2005, IEC 61000-4-6:2006, IEC 61000-4-8:1993/A1:2000, IEC 61000-4-11:2004). THE TEST WAS CARRIED OUT ON May 28, 2008 AT SPORTON INTERNATIONAL INC. LAB.

A handwritten signature in blue ink, appearing to read "Castries Huang", is written over a horizontal line.

Castries Huang
Supervisor

Certificate No: EC2D2008-05

ACCORDING TO European Standard EN 55022:2006 Class B,
EN 61000-3-2:2006, EN 61000-3-3:1995/A1:2001/A2:2005 and
EN 55024:1998/A1:2001/A2:2003 (IEC 61000-4-2:1995/A2:2000,
IEC 61000-4-3:2006, IEC 61000-4-4:2004, IEC 61000-4-5:2005,
IEC 61000-4-6:2006, IEC 61000-4-8:1993/A1:2000, IEC 61000-4-11:2004).

More detail information of Model No.:

SADx1x2x3x4x5 or SADx1x2x3x4x5-1

x1 (Diameter / Width (mm))

025 = 25x25mm
030 = 30x30mm
040 = 40x40mm
050 = 50x50mm
060 = 60x60mm
070 = 70x70mm
080 = 80x80mm
092 = 92x92mm
020 = 20x20mm
035 = 35x35mm
045 = 45x45 mm
120 = 120x120mm
172 = Ø172 or 172x150mm

x2 (Thicknes (mm))

06 = 6mm
07 = 7mm
09 = 9mm
10 = 10mm
12 = 12mm
15 = 15mm
20 = 20mm
25 = 25 or 25.4mm
32 = 32mm
38 = 38mm
51 = 51mm

x3 (Speed)

T or 7 means speed higher than U or 6 speed code.
U or 6 means speed higher than S or 5 speed code.
S or 5 means speed higher than H or 4 speed code.
H or 4 means Standard-higher speed code
M or 3 means Middle speed code
L or 2 means Low speed code
E or 1 means speed Lower than L speed code
V or 0 means speed Lower than E speed code

x4 (Voltage)

3 = 5V
4 = 12V
5 = 24V
6 = 48V

x5 (Bearing)

B = Dual Ball
S = Sleeve
C = Ball + Sleeve
H = HTLS