

## Features

- Recommended for reflow processing
- Rotor design compatible with pick and place and automatic adjustment equipment
- Supplied in 8 mm embossed tape, compatible with automatic assembly equipment
- Rear adjust version available
- 3 mm size meets EIA/EIAJ standard trimmer footprint
- RoHS compliant\* - see [processing information](#) on RoHS compliant surface mount trimmers
- For trimmer applications/processing guidelines, [click here](#)

# 3303 - 3 mm SMD Trimpot® Trimming Potentiometer

## Electrical Characteristics

Standard Resistance Range .....100 ohms to 1 megohm  
 (see standard resistance table)  
 Resistance Tolerance ..... ±25 % std.  
 Absolute Minimum Resistance  
 ≤ 1K Ohms ..... 20 ohms max.  
 >1K Ohms ..... 2 % max. of TR  
 Contact Resistance Variation . 5 % max.  
 Resolution ..... Infinite  
 Adjustment Angle ..... 260 ° ±20 °

## Environmental Characteristics

Resistance to Soldering Heat  
 ... 260 °C, 10 seconds, TRS max. 5 %  
 Power Rating (50 VDC max.)  
 70 °C ..... 0.15 watt  
 Temperature Range ... -40 °C to +125 °C  
 Temperature Coefficient ... ±250 ppm/°C  
 Humidity ..... 95 %RH  
 500 hours  
 TRS max. .... ±5 %  
 Load Life  
 .....@ 70 °C rated power 500 hours  
 TRS ± 5 %  
 Rotational Cycling ..... 20 turns  
 TRS ± 15 %

## Physical Characteristics

Torque..... 20-200 g-cm max.  
 Mechanical Angle ..... Continuous  
 Marking..... Part marking code  
 Standard Packaging  
 ..... 2000 pcs./7 " reel  
 Adjustment Tool..... H-90

Aqueous cleaning not recommended.

## How To Order

**3303 X - 3 - 103 E**

Model \_\_\_\_\_  
 Style \_\_\_\_\_  
 Orientation of Parts In Tape:  
 • Styles W, C -Terminals Toward Sprocket Holes  
 • Styles X, D -Terminals Away From Sprocket Holes (preferred)  
 Standard or Modified  
 Product Indicator  
 -1 = Single Slot (C, D Pin Styles Only)  
 -3 = Cross Slot Low Profile (W, X Pin Styles Only)  
 Resistance Code \_\_\_\_\_  
 Embossed Tape Designator \_\_\_\_\_

Consult factory for other available options.

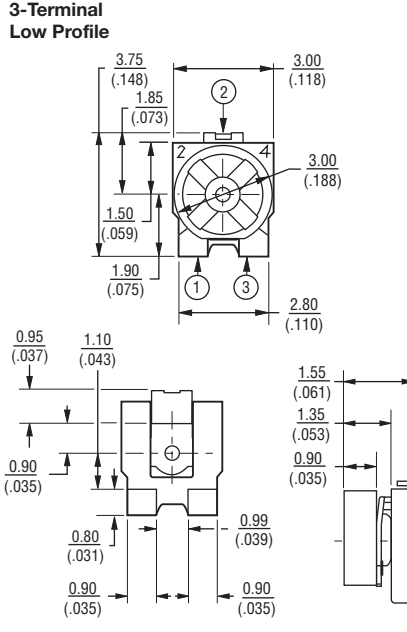
\*RoHS Directive 2002/95/EC Jan. 27, 2003 including annex and RoHS Recast 2011/65/EU June 8, 2011. Specifications are subject to change without notice.

The device characteristics and parameters in this data sheet can and do vary in different applications and actual device performance may vary over time.

Users should verify actual device performance in their specific applications.

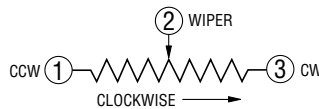
## Product Dimensions

**3303W, X-3**  
**3mm Open Frame**  
**for Reflow Soldering**  
**3-Terminal**  
**Low Profile**

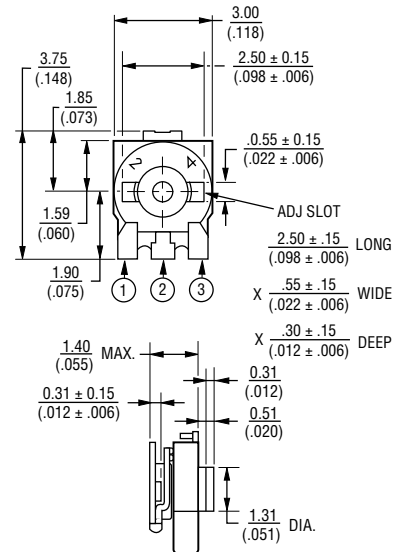


SUGGESTED PWB LAYOUT

DIMENSIONS:  $\frac{\text{MM}}{\text{(INCHES)}}$   
 TOLERANCES: ±  $\frac{0.30}{(.012)}$  EXCEPT WHERE NOTED



**3303C,D-1**  
**3-Terminal**  
**Both Sides Adjust**



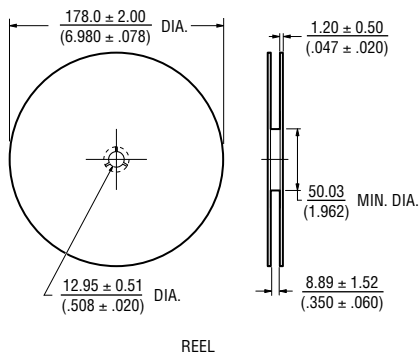
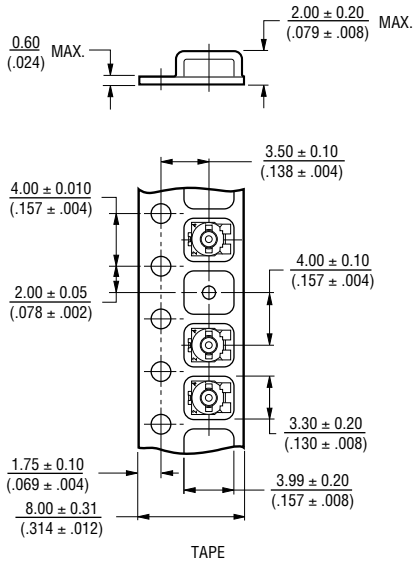
SUGGESTED PWB LAYOUT

DIMENSIONS:  $\frac{\text{MM}}{\text{(INCHES)}}$   
 TOLERANCES: ±  $\frac{0.38}{(.015)}$  EXCEPT WHERE NOTED

# 3303 - 3 mm SMD Trimpot® Trimming Potentiometer

**BOURNS®**

## Packaging Specifications



Meets EIA 481

DIMENSIONS:  $\frac{\text{MM}}{\text{(INCHES)}}$

TOLERANCES:  $\pm \frac{0.25}{(.010)}$  EXCEPT WHERE NOTED

## Standard Resistance Table

Resistance (Ohms)	Part Marking Code	Resistance Code
100	12	101
200	22	201
500	52	501
<b>1,000</b>	<b>13</b>	<b>102</b>
<b>2,000</b>	<b>23</b>	<b>202</b>
<b>5,000</b>	<b>53</b>	<b>502</b>
<b>10,000</b>	<b>14</b>	<b>103</b>
<b>20,000</b>	<b>24</b>	<b>203</b>
50,000	54	503
100,000	15	104
200,000	25	204
500,000	55	504
1,000,000	16	105

Popular distribution resistance values listed in boldface. Special resistances available.

REV. 04/14

"Trimpot" is a registered trademark of Bourns, Inc. Specifications are subject to change without notice.

The device characteristics and parameters in this data sheet can and do vary in different applications and actual device performance may vary over time. Users should verify actual device performance in their specific applications.