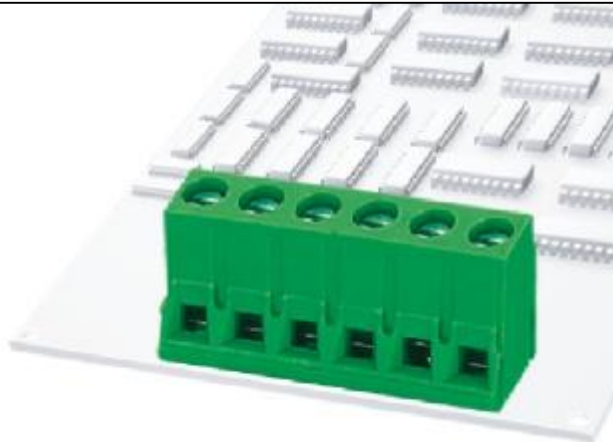


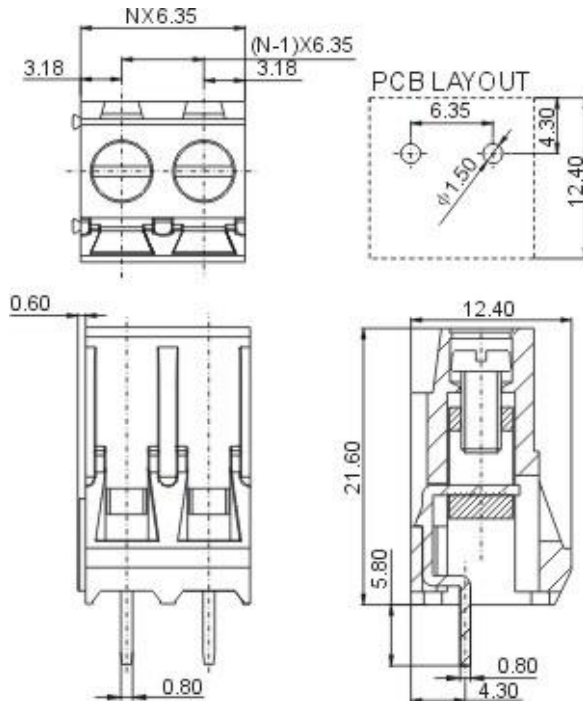


DEGSON ELECTRONICS CO., LTD.

Product Specification

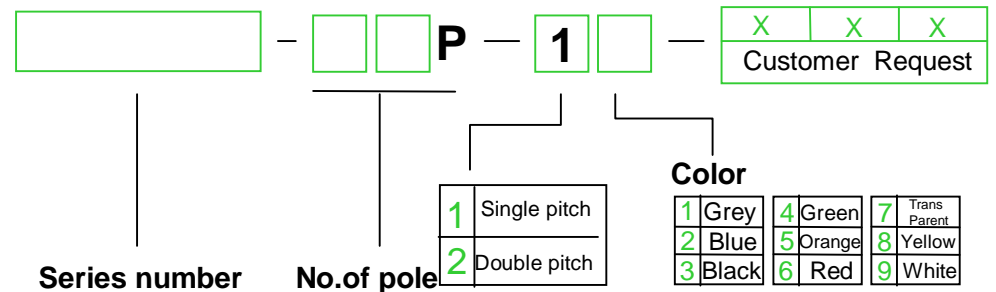


DG635-6.35



| | | |
|----------------------|--------------------------------------|--------------------|
| APPROVAL | | |
| Electrical | | |
| Standard | UL | IEC |
| Rated voltage | 300V | 450V |
| Rated current | 30A | 32A |
| Wire range | 26-10AWG | 4.0mm ² |
| Withstanding voltage | AC2500V/1Min | |
| Menchanical | | |
| Torque | 0.5Nm(4.4Lb-In) | |
| Ambient temperature | -40°C~+105°C | |
| Strip length | 8-9mm | |
| Dimensions | | |
| pitch | 6.35mm(.250") | |
| Poles | 2P,3P-24P | |
| Material | | |
| Housing | PA66,UL94V-0 | |
| Screws | M3,Steel, Cr ³⁺ Znplated, | |
| Pin header | BrassTin-plated | |
| Cage | Brass,Ni-plated | |

HOW TO ORDER :



| | |
|--|-------------------------------------|
| | DEGSON ELECTRONICS CO., LTD. |
| | NAME DG635-6.35 |