

ENQUIRY FORM

POTENTIOMETER BR20SP/PC1S SWITCH

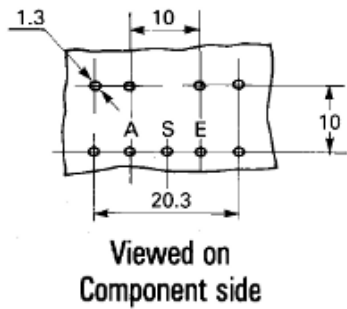
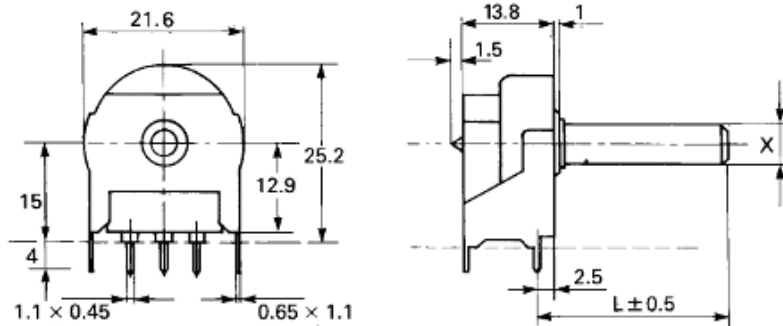
1 Amp. IL rotary switch mounted on a P20 metal can potentiometer, spindle axis is mounted horizontal to the printed circuit board (pcb)

Model BR20SP/PC1S:

Switch Specification:

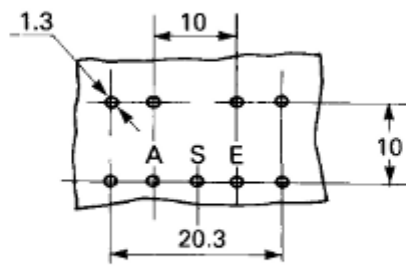
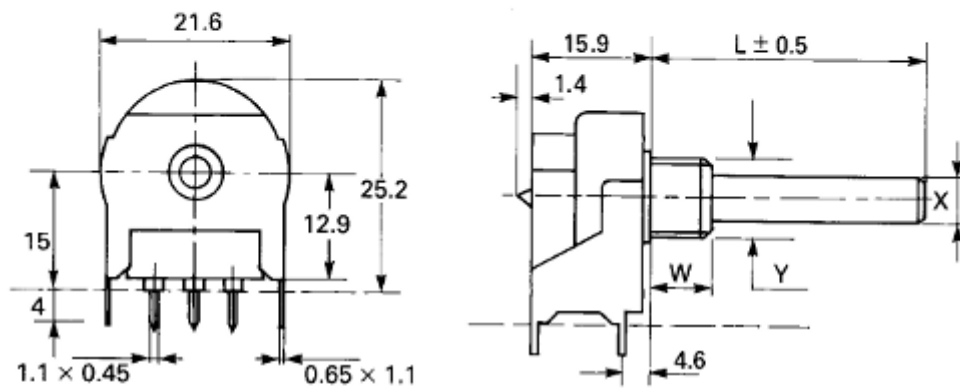
- Contact rating: 1A/24V DC
- Contact rating 1A 250V AC Resistive Load
- Proof voltage: 3KV min.
- Housing material: Glass filled nylon
- Contact gap: 1mm (and without a surge rating)
- Mechanical rotation: 300°
- Life: 10,000 (maximum) operations at rated load

BR 20 SP/PC IS



Model BR20BU/PC1S alternative with Bracket and Bush fixing:

BR 20 BU/PC IS



Viewed on
Component side