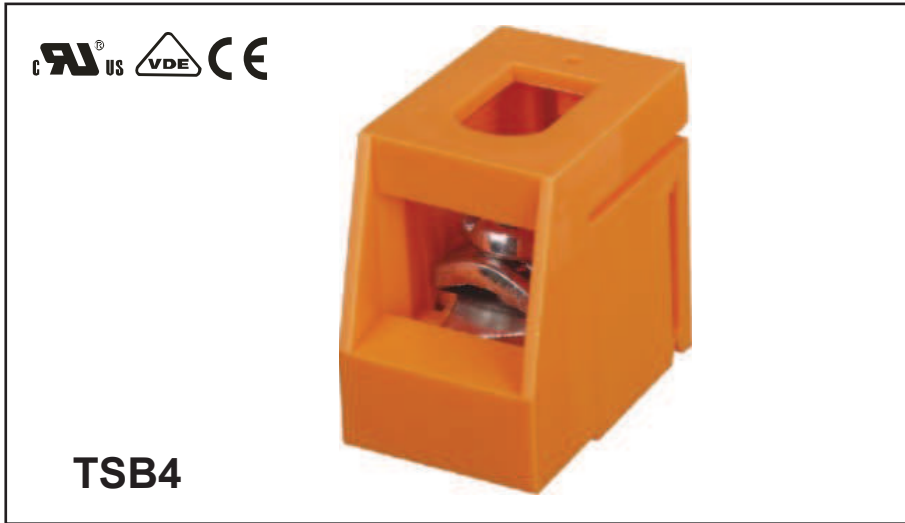


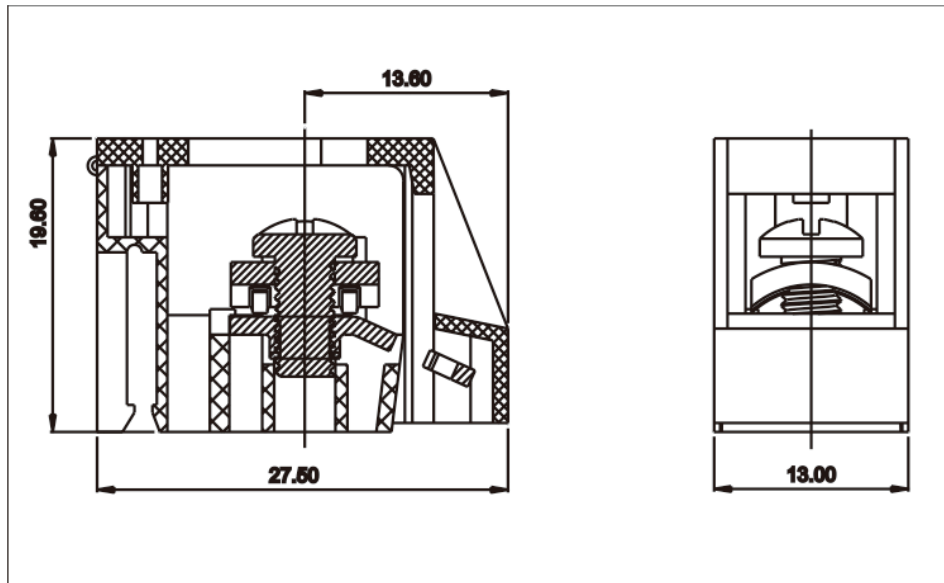


DEGSON ELECTRONICS CO., LTD.

Product Specification



APPROVAL		
Electrical		
Standard	UL	IEC
Rated voltage	600V	450V
Rated current	30A	32A
Wire range	20-12AWG	0.5-4.0mm ²
Withstanding voltage	AC2500V/1Min	
Mechanical		
Torque	1.2Nm(10.5Lb-In)	
Ambient temperature	-40°C~+105°C	
Strip length	8-10mm	
Dimensions		
Pitch	13.0mm(.512")	
Poles	1P	
Material		
Housing	PA66,UL94V-0	
Screws	M4, Steel,Cr ³⁺ Zn plated	
Contact	Copper, Tin plated	



HOW TO ORDER :

- **P** - -

X	X	X
Customer Request		

Series number No. of pole Color

1	Single pitch
2	Double pitch

1	Grey	4	Green	7	Trans Parent
2	Blue	5	Orange	8	Yellow
3	Black	6	Red	9	White

 mm (INCH)	 DEGSON ELECTRONICS CO., LTD.
 THROANGLE PROJECTION	NAME TSB4