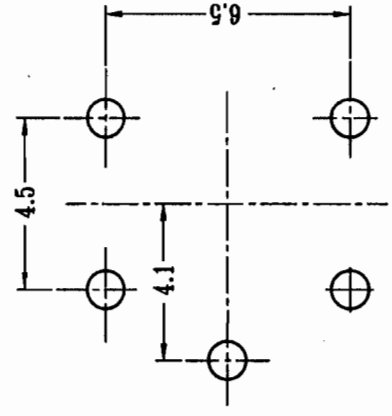
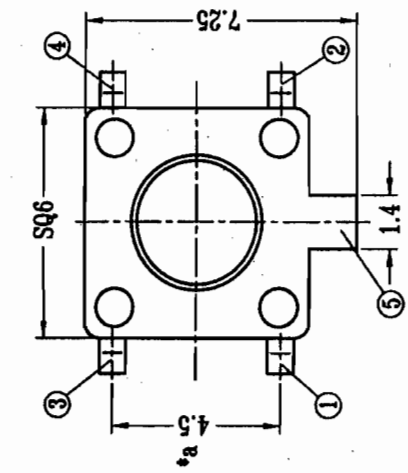
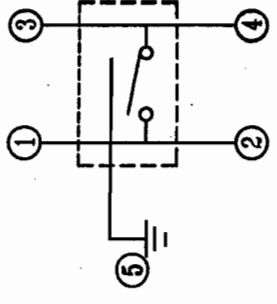
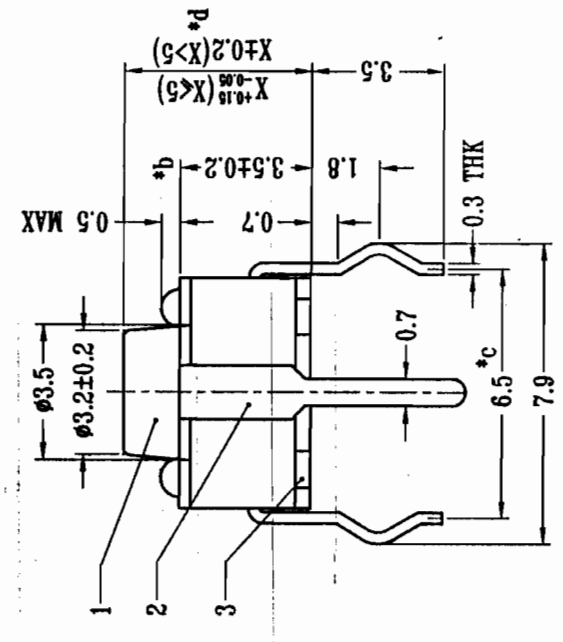
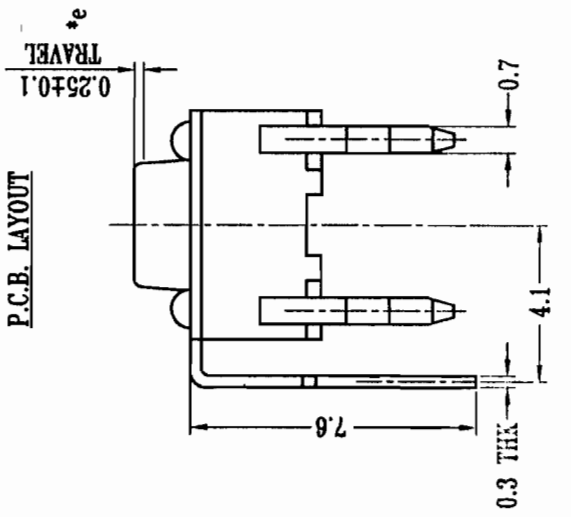




CAD FILE:



P.C.B. LAYOUT



SCHEMATIC

MODEL NO.	KNOB TAPY	X
TC-119A	TC0111 KNOB	17.0
TC-A110	TC0110 KNOB	13.5
TC-A119	TCA109 KNOB	13.0
TC-0119	TC0109 KNOB	12.5
TC-0118	TC0108 KNOB	9.5
TC-A117	TCA107 KNOB	9.0
TC-0117	TC0107 KNOB	8.5
TC-0116	TC0106 KNOB	8.0
TC-0115	TC0105 KNOB	7.3
TC-0114	TC0104 KNOB	7.0
TC-0113	TC0103 KNOB	5.0
TC-0112	TC0102 KNOB	4.3
TC-A111	TC0101 KNOB	4.2

OPERATING FORCE	CODE
100gf	T
130gf	V
160gf	X
170gf	W
190gf	Y
250gf	Z

注: *表示关键尺寸 (5个)

NO.	PARTS	MATERIALS	Q'ITY	FINISH
8				
7				
6				
5				
4	CONTACT	PBS C5210R-EH	1	Ag CLAD
3	CASE	NYLON+FG	1	BLACK/Ag PLATED OVER Ni PLATED
2	COVER	ZINC PLATE	1	Sn PLATED
1	KNOB	POM/NYLON-F.G./P39T	1	AS PER IPO
				DRWG NO.: TT-DR-TC0112-00
				UNIT : mm
				SCALE: 5:1
				WEALTH METAL FACTORY LTD.
TOLERANCE UNLESS SPECIFIED				
WITHIN 1.5mm : ±0.1mm				
OVER 1.5mm : ±0.2mm				
TITLE : TACT SWITCH				
MODEL: TC-0112~0119				
DATE				
ISSUE				
DESCRIPTIONS OF REVISION				
DRG NO.: TT-DR-TC0112-00				
DMN. 唐礼贤				
10-Feb-2007				
CHK'D [Signature]				
10-Feb-2007				
APPD. [Signature]				
10-Feb-2007				

修改明细表内容及修正关键尺寸
 修改日期: 10-Feb-2007