



健隆投資有限公司  
STRONG BASE INVESTMENT LTD.

Unit 17, 11/F., Hewlett Centre, 52-54 Hoi Yuen Road, Kwun Tong, Kowloon, Hong Kong.

Tel: (852) 2793 3293 Fax: (852) 2793 3096



Approval Sheet  
(確認書)

編號 Ref. No.	131010-03
日期 Issued Date	2013-10-10

公司名稱 : \_\_\_\_\_  
Company Name

產品編號 : E1-1050CUR1  
Part No.

產品種類 : 数码显示板  
Category

產品描述 : 0.5Inch、超高亮红光、一位、共阴、灰面白字  
Description

客戶產品編號 : \_\_\_\_\_  
Customer No.

備注 : \_\_\_\_\_  
Remarks

STRONG BASE			
ISSUER	APPROVER	CHECKER	ENGINEER
	曾雪昭	何春宁	刘丁

Authorized Signature 客戶簽字				
部門 Department				
簽字 Signature				

工廠名稱: 宇之亮電子(深圳)有限公司

工廠地址: 廣東省深圳市龍崗區橫崗鎮荷坳村金源工業區

Company Name: Pretty Light (Shen Zhen) Limited

Factory Address: jin-Yuan, Industrial Zone He-Ao Cun, Heng-Gang

Zhen Long-Gang Area, Shen-Zhen City,

TEL: (755) 8976 7353

FAX: (755) 89767754



健隆投資有限公司

**STRONG BASE INVESTMENT LTD.**

Unit 17, 11/F., Hewlett Centre, 52-54 Hoi Yuen Road, Kwun Tong, Kowloon, Hong Kong.

Tel: (852) 2793 3293 Fax: (852) 2793 3096



**PART No: E1-1050CUR1**

**Client:**

**Single Chip Light Electricity Characteristic Data**

**※Absolute Maximum Ratings at Ta=25°C**

Parameter	Rating	Unit
Power Dissipation Per Chip	50	mW
Perk Forward Current Per Chip (Frequency 10KHz,1/10Duty Cycle)	60	mA
Reverse Voltage Per Chip	5	V
Operating Temperature Range	-20~+80	°C
Storage Temperature Range	-20~+85	°C
Storage Humidity	45% ~ 85%	

**※Electrical and Optical Characteristics at Ta=25°C**

Parameter	Symbol	Condition	Color	Min	Typ	Max	Unit
Forward Voltage Per Chip	VF	IF=20mA	Red	1.7	2.0	2.5	v
Reverse Current	IR	VR=5V	-	-	-	50	uA
Luminous Intensity Per Chip	IV	IF=20mA	Red	30	45	60	mcd
Dominant Wave Length	$\lambda d$	IF=20mA	Red	625	630	640	nm
Normal Forward Current	IF		All Color	5	10	20	mA

Note: Soldering Bath: not more than 4 seconds @260°C。The bottom ends of plastic reflector should be at least 2mm above the solder surface。

Soldering Iron: not more than 3 seconds @300°C under 30W。



健隆投資有限公司

STRONG BASE INVESTMENT LTD.

Unit 17, 11/F., Hewlett Centre, 52-54 Hoi Yuen Road, Kwun Tong, Kowloon, Hong Kong.

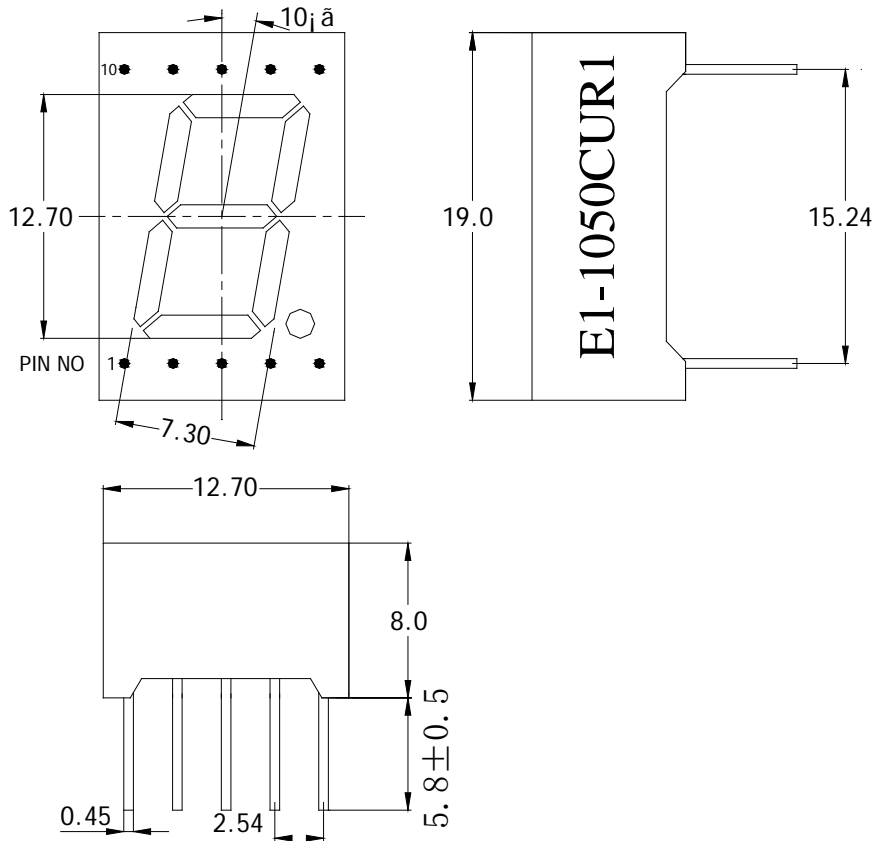
Tel: (852) 2793 3293 Fax: (852) 2793 3096



PART No.: E1-1050CUR1

Client:

PACKAGE DIMENSION (Unit: mm Tolerance:  $\pm 0.5$ )



### INTERNAL CIRCUIT DIAGRAM

